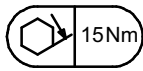


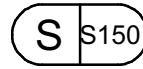
# Parts List / Assembly Drawings V04/05/07-200 Models (ACE)

Stationary Air Compressors

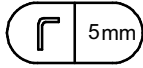
Key to symbols used:



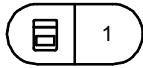
Torque setting (Nm).



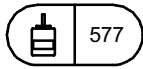
Service tool required (Tool Number).



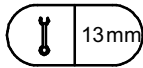
Allen key required (mm).



Grease required (Chart number).



Loctite required (Specification number).



Spanner required (mm) A/F.

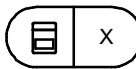


Lubricate with oil.



Recommended Oils
Fluid Force 2000

Note: Do not mix oils.

 X	Recommended Grease	
	Number	Grease Type
	1	Shell Albida HD2
		Mobil Mobilih SHC PM
	2	Molykole DX Paste

Torque settings & spanner sizes:

Listed below are recommended torque settings and spanner sizes.

Note: Torque settings must be applied when indicated.

Torque Settings & Spanner Sizes		
Thread Size (mm)	Setting (Nm)	Spanner Size (mm)
6	15	10
8	35	13
10	60	17
12	95	19
16	160	24
42	400	N/A

**Models V04/05/07 Parts list****List of Contents**STANDARD COMPRESSOR BUILD

1. PL10-V0407-ACE MOTOR ASSEMBLY
2. PL11-V0407-ACE DRIVE END COVER ASSEMBLY
3. PL12-V0407-ACE ROTOR AND STATOR ASSEMBLY
4. PL13-V0407-ACE VACUUM VALVE ASSEMBLY
5. PL14-V0407-ACE MINIMUM PRESSURE VALVE ASSEMBLY
6. PL15-V0407-ACE NON DRIVE END COVER ASSEMBLY
7. PL16-V0407-ACE INTAKE END COVER ASSEMBLY
8. PL17-V0407-ACE BASE BUILD ASSEMBLY
9. PL18-V0407-ACE COOLER & FAN ASSEMBLY
10. PL19-V0407-ACE PANEL ASSEMBLY
11. PL20-V0407-ACE 4.0/5.5/7.5KW 400V 50HZ 3PH STAR-DELTA STARTER
12. PL21-V0407-ACE 4.0/5.5KW 400V 50HZ 3PH DOL STARTER
13. PL22-V0407-ACE 4.0/5.5KW 230V 60HZ 1PH DOL STARTER
14. PL23-V0407-ACE 4.0/5.5/7.5KW 200/230/460/575V 60HZ 3PH DOL STARTER
15. PL24-V0407-ACE 7.5KW 400/460V 50/60HZ RS STARTER
16. PL25-V0407-ACE SOLENOID LAYOUT (STAR-DELTA)
17. PL26-V0407-ACE SOLENOID LAYOUT (DOL / 1PH / RS)

HYPAC RANGE OF COMPRESSORS

18. PL27-V0407-ACE RECEIVER BUILD
19. PL28-V0407-ACE V04/05/07 ACER ASSEMBLY
20. PL29-V0407-ACE V04 AERD ASSEMBLY
21. PL30-V0407-ACE V05/07 AERD ASSEMBLY
22. PL31-V0407-ACE V04 ACED ASSEMBLY
23. PL32-V0407-ACE V05/07 ACED ASSEMBLY

ANCILLARY EQUIPMENT

24. AE01-V0407-ACE OUTLET DUCTING KIT
25. AE02-V0407-ACE V04/05/07 OIL/WATER SEPARATOR KIT

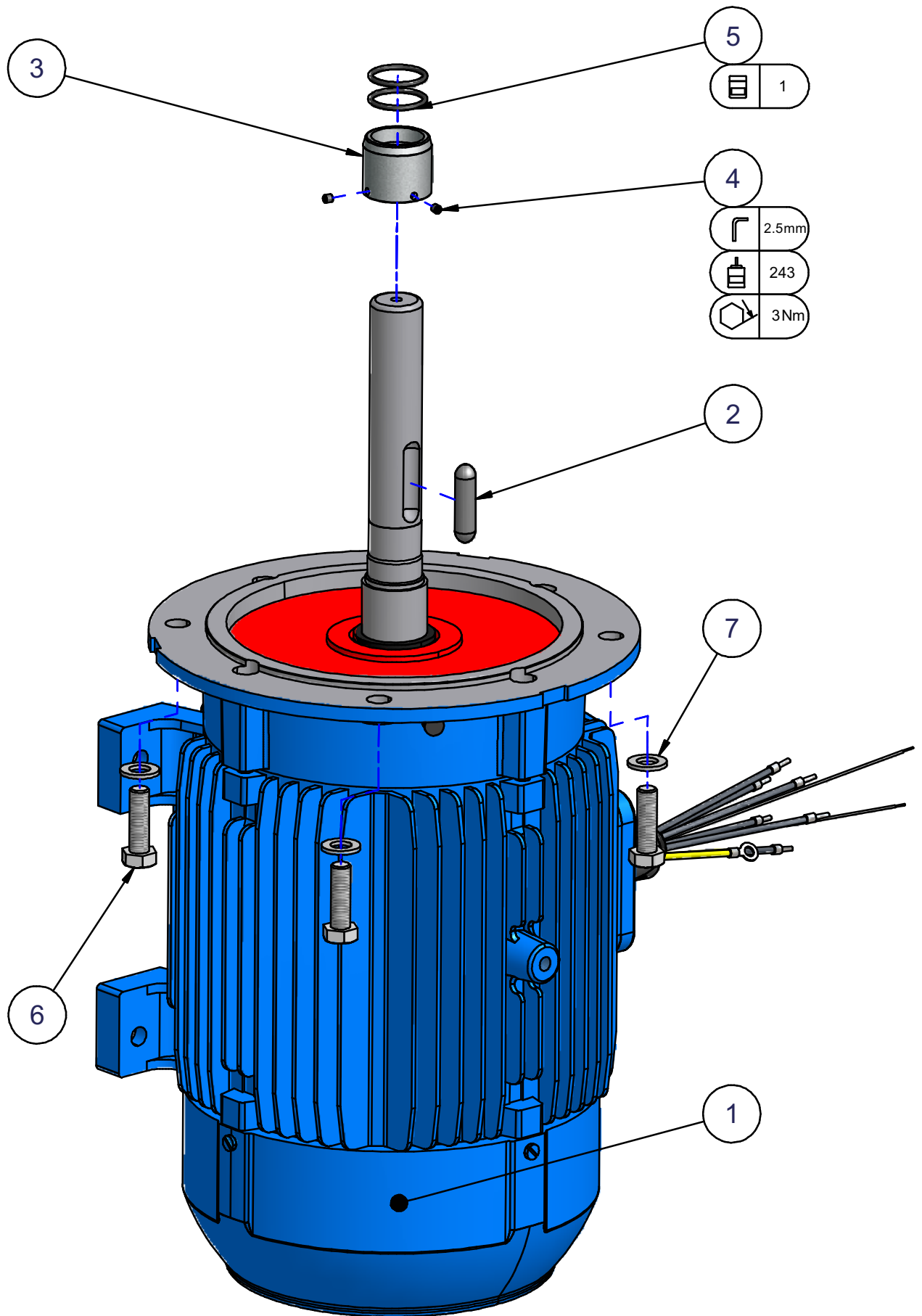
KIT INFORMATION

26. PLKT-V1822-ACE O-RING IDENTIFICATION AID

## PL10-V0407-ACE - MOTOR ASSEMBLY

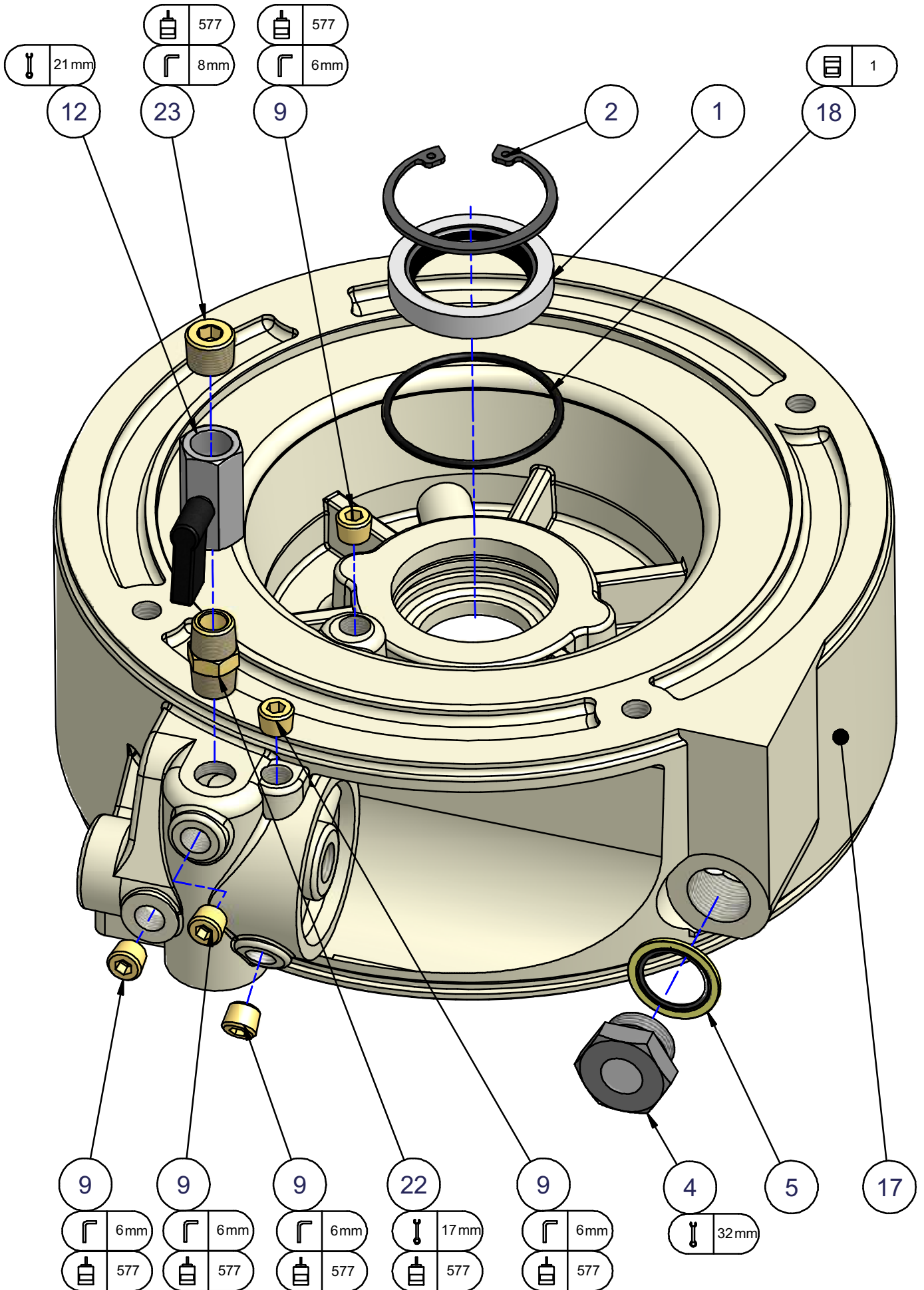
Item	Part Number	Description	Kit	Quantity				
				All	V04	V05	V07	RS
1	76050-10	MOTOR 7.5KW 400/460V 50/60HZ 3PH	KBV132					1
1	75750-53	MOTOR 7.5KW 575V 60HZ 3PH	KBV132				1	
1	75749-53	MOTOR 5.5KW 575V 60HZ 3PH	KBV132			1		
1	76060	MOTOR 5.5KW 230V 60HZ 1PH	KBV132			1		
1	76048-65	MOTOR 5.5KW 200/230/460V 60HZ 3PH	KBV132			1		
1	75980-10	MOTOR 5.5KW 400V 50HZ 3PH	KBV132			1		
1	76047-65	MOTOR 7.5KW 200/230/460V 60HZ 3PH	KBV132				1	
1	75981-10	MOTOR 4KW 400V 50HZ 3PH	KBH132		1			
1	76059	MOTOR 4KW 230V 60HZ 1PH	KBH132		1			
1	76049-65	MOTOR 4KW 200/230/460V 60HZ 3PH	KBH132		1			
1	75748-53	MOTOR 4KW 575V 60HZ 3PH	KBH132		1			
1	75979-10	MOTOR 7.5KW 400V 50HZ 3PH	KBV132				1	
2	2056	SHAFT KEY	KT457E	1				
3	75600	WEAR SLEEVE	KW457E & KT457E	1				
4	MG1705-05	M5x5 SKT SET SCREW	KW457E & KT457E	2				
5	9798	'O' RING	KW457E & KT457E	2				
6	MS112-40	M12x40 HEX HD BOLT		3				
7	MW12	M12 WASHER		3				






## PL11-V0407-ACE - DRIVE END COVER ASSEMBLY

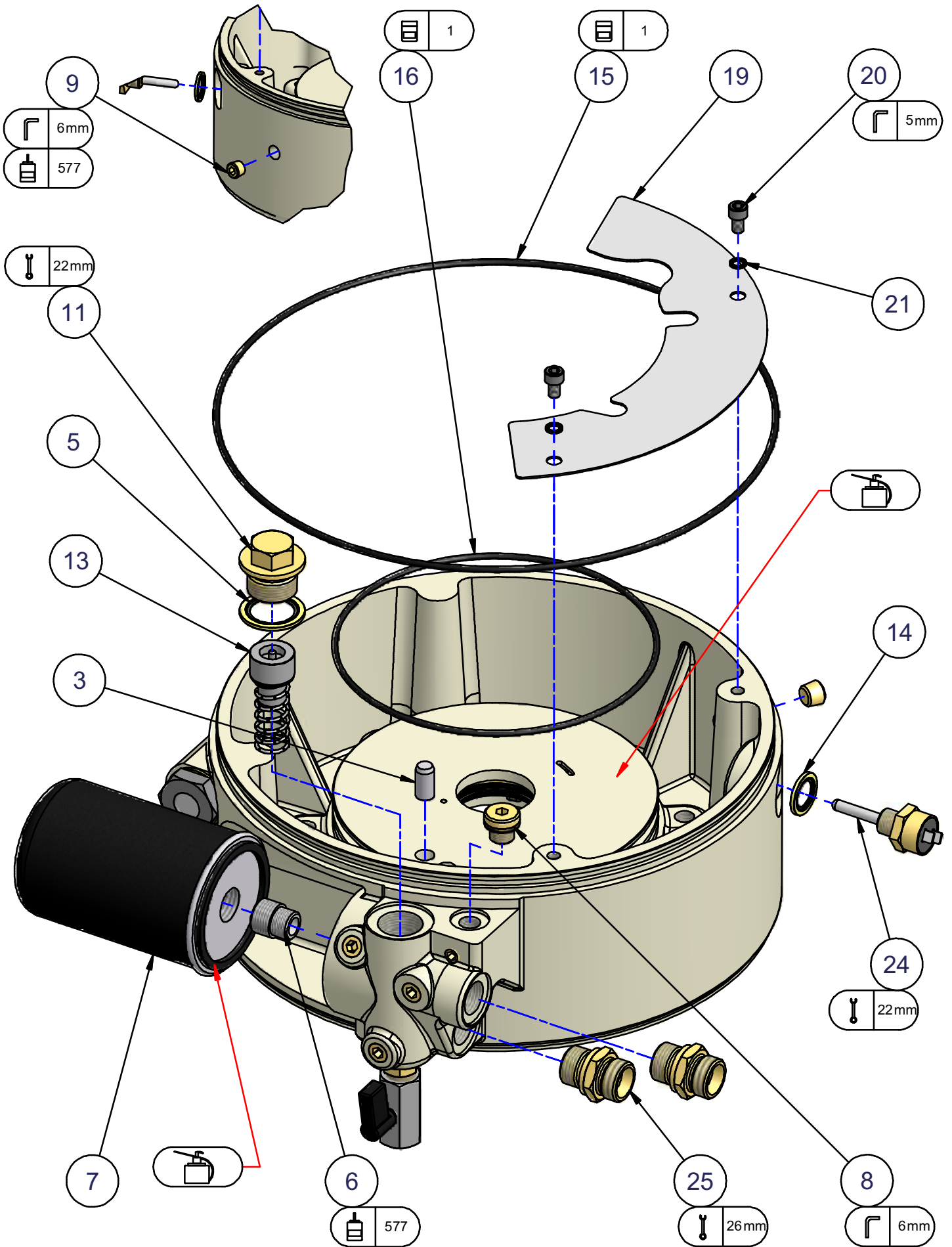
Item	Part Number	Description	Kit	Quantity				
				All	V04	V05	V07	RS
1	76379	OIL SEAL	KW457E & KT457E	1				
2	MCI60	INTERNAL CIRCLIP	KW457E & KT457E	1				
3	75202	DOWEL PIN Ø10x20		1				
4	32625	SIGHT LEVEL GLASS UNIT		1				
5	9619	BONDED SEAL G3/4"	KM457EP & KM457E	2				
6	75877	OIL FILTER INSERT	35064	1				
7	75876	OIL FILTER	KM457EP & KM457E & KO457EP & KO457E	1				
8	74859	BLANKING PLUG G1/4"	KO457EP & KO457E	1				
9	59425-02	PLUG G1/4"	35064	4				
10	59425-01	PLUG G1/8"	35064	1				
11	74975	VALVE PLUG		1				
12	76083	OUTLET TAP G3/8" F-F		1				
13	75022	THERMAL BY PASS VALVE	KT457E	1				
14	9613	BONDED SEAL G3/8"	KT457E	1				
15	75099	'O' RING	KT457E	1				
16	9831	'O' RING	KT457E	1				
17	75829	DRIVE END COVER	35064	1				
18	9810	'O' RING	KW457E & KT457E	1				
19	75910	IMPINGMENT COWL		1				
20	MS706-10	SCREW-SHCS M6x10		2				
21	MWG6	SPRING WASHER M6		2				
22	51023	ADAPTOR G3/8" TAPERED		1				
23	59425-03	PLUG G3/8"		1				
24	71812	TEMPERATURE SENSOR		1				
25	75215	1/2"-15MM STUD COUPLING BODY	KT457E	2				
26	77258	1/2" VITON SEAL	KT457E	2				



 <b>CompAir</b> COMPAIR UK LTD. REDDITCH	DRIVE END COVER ASSEMBLY		Edition	Sheet
	PL11-V0407-ACE		A	1 / 2

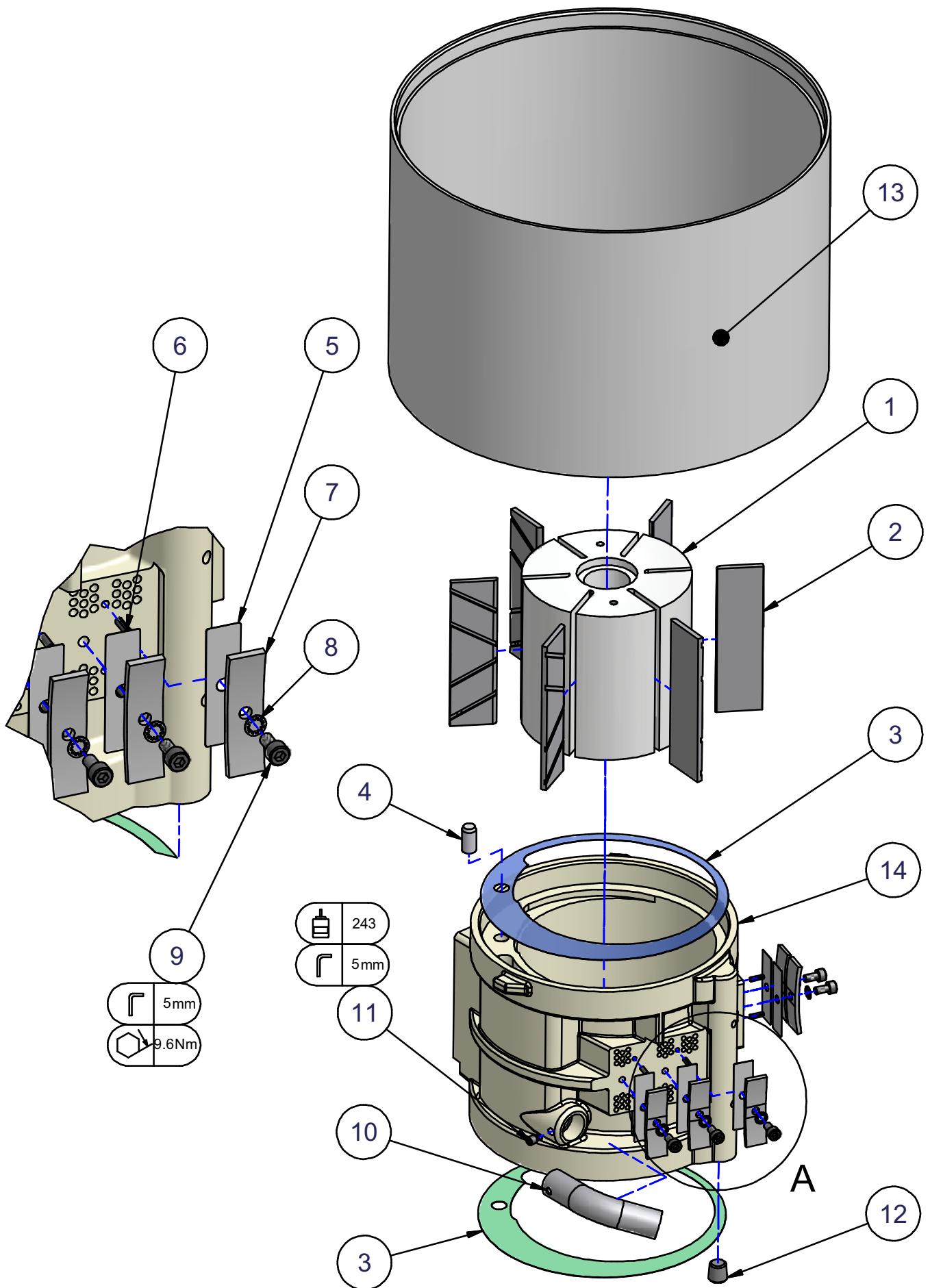
## PL11-V0407-ACE - DRIVE END COVER ASSEMBLY

Item	Part Number	Description	Kit	Quantity				
				All	V04	V05	V07	RS
1	76379	OIL SEAL	KW457E & KT457E	1				
2	MCI60	INTERNAL CIRCLIP	KW457E & KT457E	1				
3	75202	DOWEL PIN Ø10x20		1				
4	32625	SIGHT LEVEL GLASS UNIT		1				
5	9619	BONDED SEAL G3/4"	KM457EP & KM457E	2				
6	75877	OIL FILTER INSERT	35064	1				
7	75876	OIL FILTER	KM457EP & KM457E & KO457EP & KO457E	1				
8	74859	BLANKING PLUG G1/4"	KO457EP & KO457E	1				
9	59425-02	PLUG G1/4"	35064	4				
10	59425-01	PLUG G1/8"	35064	1				
11	74975	VALVE PLUG		1				
12	76083	OUTLET TAP G3/8" F-F		1				
13	75022	THERMAL BY PASS VALVE	KT457E	1				
14	9613	BONDED SEAL G3/8"	KT457E	1				
15	75099	'O' RING	KT457E	1				
16	9831	'O' RING	KT457E	1				
17	75829	DRIVE END COVER	35064	1				
18	9810	'O' RING	KW457E & KT457E	1				
19	75910	IMPINGMENT COWL		1				
20	MS706-10	SCREW-SHCS M6x10		2				
21	MWG6	SPRING WASHER M6		2				
22	51023	ADAPTOR G3/8" TAPERED		1				
23	59425-03	PLUG G3/8"		1				
24	71812	TEMPERATURE SENSOR		1				
25	75215	1/2"-15MM STUD COUPLING BODY	KT457E	2				
26	77258	1/2" VITON SEAL	KT457E	2				



## PL12-V0407-ACE - ROTOR STATOR ASSEMBLY

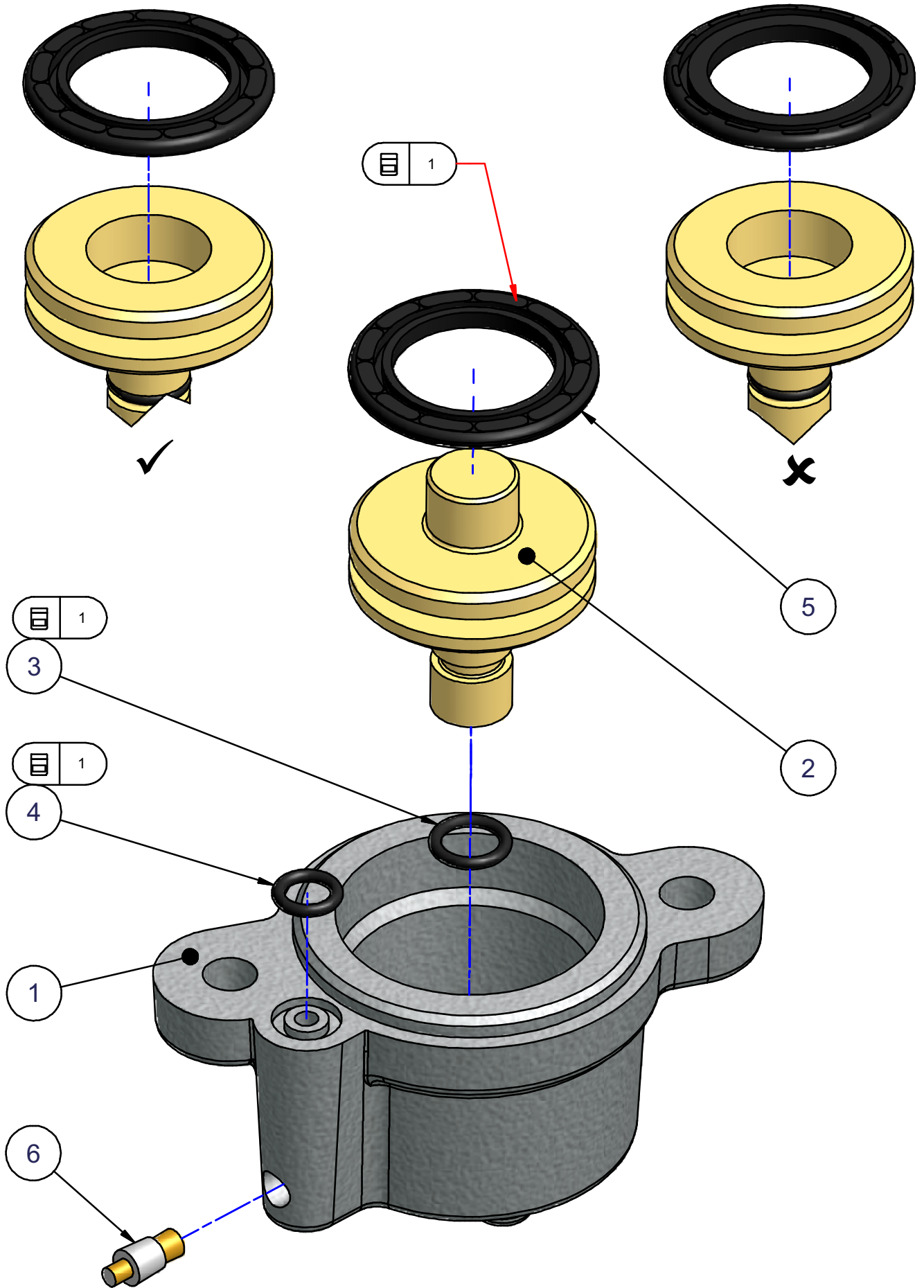
Item	Part Number	Description	Kit	Quantity				
				All	V04	V05	V07	RS
1	75309	ROTOR 5.5KW (7.5 KW 60HZ) + (7.5KW RS)				1	1	1
1	74923	ROTOR 4.0KW (5.5 KW 60HZ)			1	1		
1	74600	ROTOR 7.5 KW					1	
2	74921	BLADE 4.0KW 7 BAR 50HZ (5.5KW 60HZ)			6	6		
2	75113	BLADE 4.0KW 10 BAR 50HZ (5.5KW 60HZ)			6	6		
2	75406	BLADE 4.0KW 7 BAR 60HZ			6			
2	75407	BLADE 4.0KW 10 BAR 60HZ			6			
2	75310	BLADE 5.5KW 7 BAR 50HZ (7.5KW 60HZ) + (7.5KW RS)				6	6	6
2	75311	BLADE 5.5KW 10 BAR 50HZ (7.5KW 60HZ)				6	6	
2	74602	BLADE 7.5 KW 7 BAR 50HZ					6	
2	75109	BLADE 7.5KW 10 BAR 50HZ					6	
3	75596-02 (GREEN)	SHIM 7-10 BAR (5.5KW 50HZ) + (7.5KW 60HZ) + (7.5KW RS)	34961 & KT457E			AS REQ		AS REQ
3	75596-01 (BLUE)	SHIM 7-10 BAR (5.5KW 50HZ) + (7.5KW 60HZ) + (7.5KW RS)	34961 & KT457E			AS REQ		AS REQ
3	75597-02 (GREEN)	SHIM 7-10 BAR (4.0KW 50HZ & 60HZ) + (5.5KW 60HZ)	34960 & KT457E		AS REQ			
3	75597-01 (BLUE)	SHIM 7-10 BAR (4.0KW 50HZ & 60HZ) + (5.5KW 60HZ)	34960 & KT457E		AS REQ			
3	75603-02 (GREEN)	SHIM 7-10 BAR (7.5KW 50HZ)	34962 & KT457E				AS REQ	
3	75603-01 (BLUE)	SHIM 7-10 BAR (7.5KW 50HZ)	34962 & KT457E				AS REQ	
4	75202	DOWEL PIN Ø10x20		1				
5	73198	REED VALVE		5				
6	57027	ROLL PIN		6				
7	73700	VALVE GUARD		5				
8	73701	SHAKEPROOF WASHER M5		5				
9	MS705-10	M5x10 SKT HD SCREW		5				
10	75223	STATOR DISCHARGE PIPE		1				
11	75239	GRUB SCREW M6x8		3				
12	TP2	TAPER PLUG G1/4"		1				
13	75858	MAIN HOUSING		1				
14	75901	STATOR 7.5KW 7 BAR 50HZ					1	
14	75902	STATOR 7.5KW 10 BAR 50HZ					1	
14	75903	STATOR 5.5KW 7 BAR 50HZ (7.5KW 60HZ) + (7.5KW RS)				1	1	1
14	75904	STATOR 5.5KW 10 BAR 50HZ (7.5KW 60HZ)				1	1	
14	75905	STATOR 4.0KW 7 BAR 50HZ (5.5KW 60HZ)			1	1		
14	75906	STATOR 4.0KW 10 BAR 50HZ (5.5KW 60HZ)			1	1		
14	75907	STATOR 4.0KW 7 BAR 60HZ			1			
14	75908	STATOR 4.0KW 10 BAR 60HZ			1			



**PL13-V0407-ACE - VACUUM VALVE ASSEMBLY**

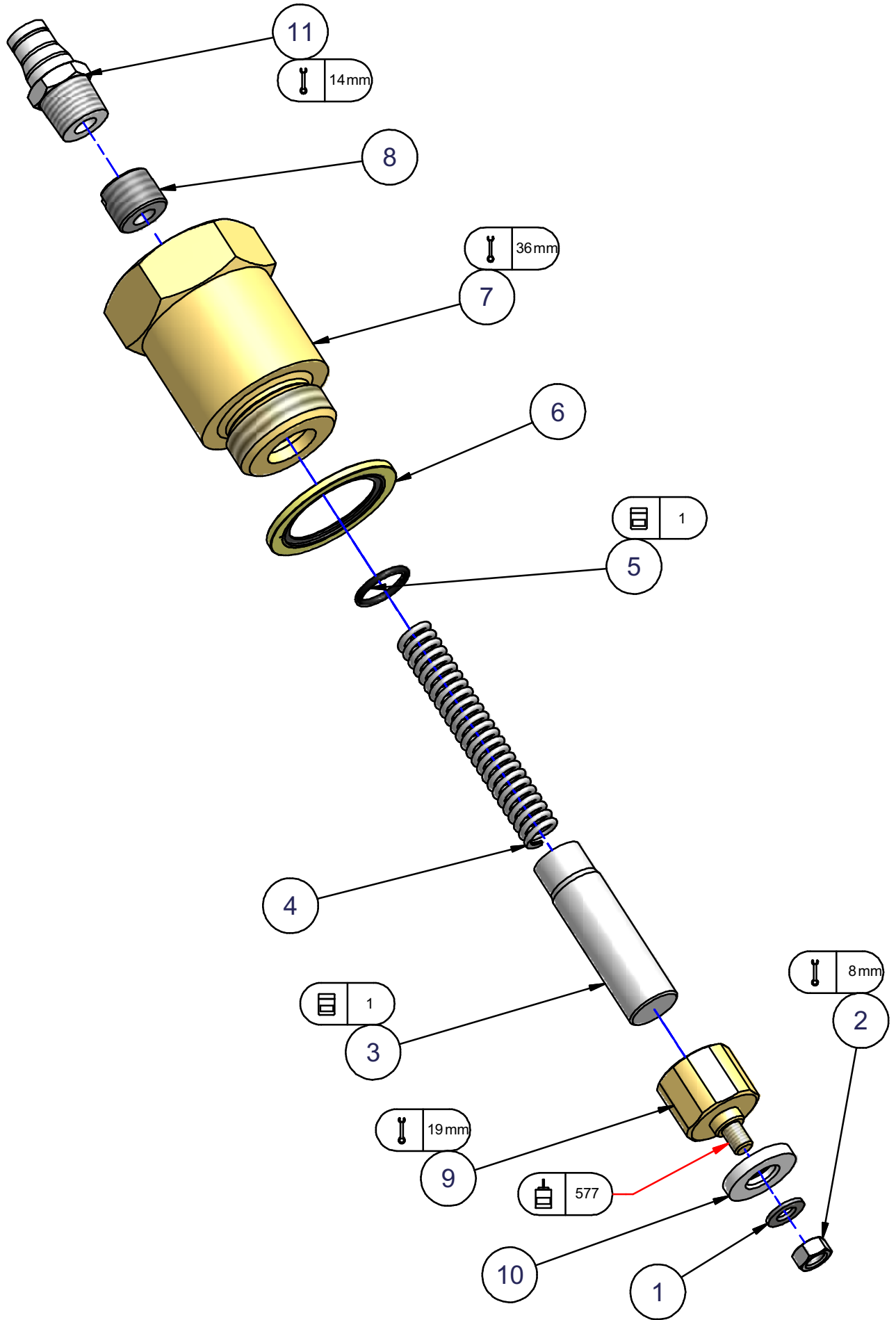
Item	Part Number	Description	Kit	Quantity				
				All	V04	V05	V07	RS
1	74617	VACUUM VALVE HOUSING		1				
2	74616	VACUUM VALVE PISTON		1				
3	9705	'O' RING	KT457E	1				
4	9704	'O' RING	KT457E	1				
5	57596	VACUUM VALVE SEAL	KT457E	1				
6	58607	AVDEL SEAL		1				






**PL14-V0407-ACE - MINIMUM PRESSURE VALVE ASSEMBLY**

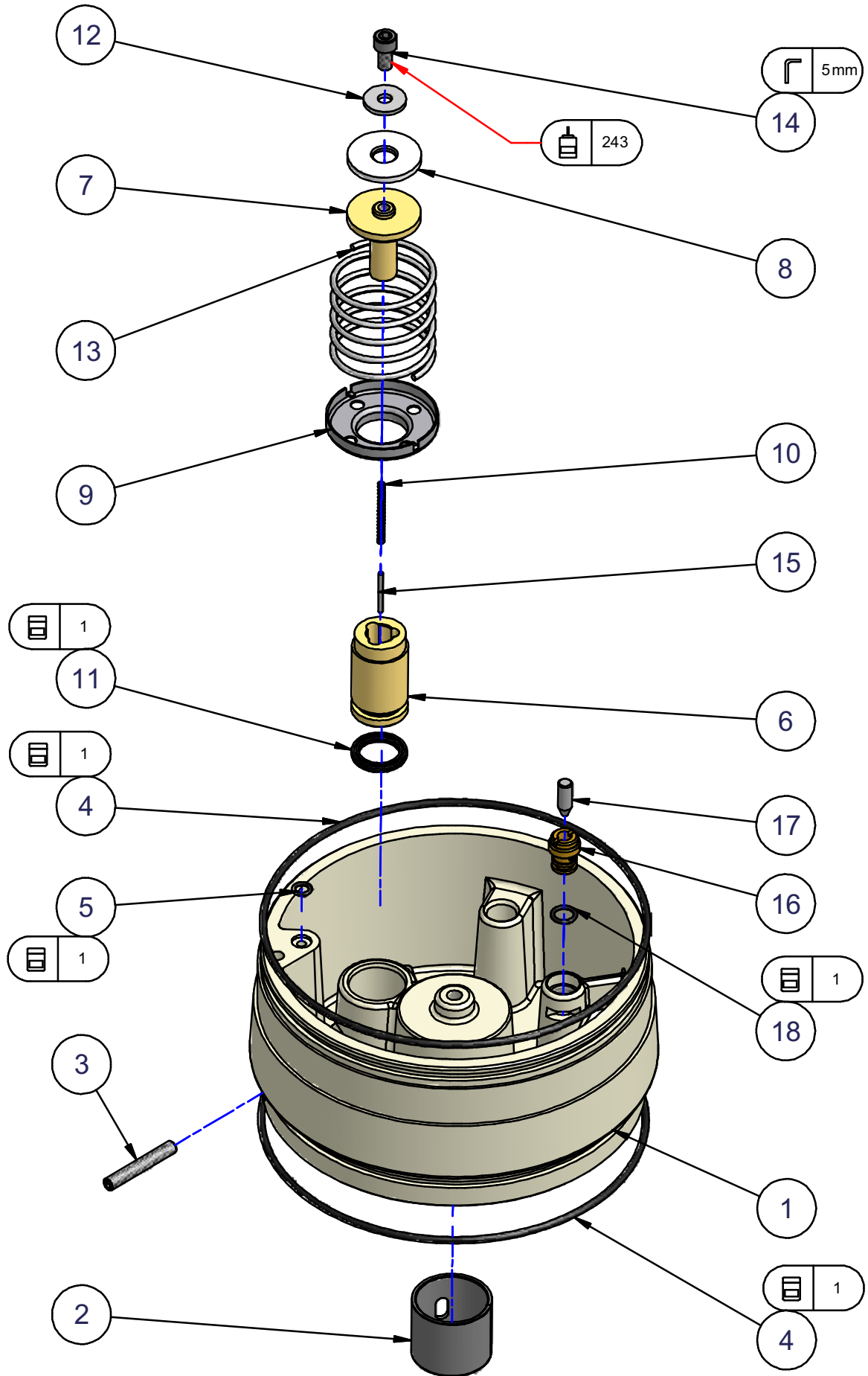
Item	Part Number	Description	Kit	Quantity				
				All	V04	V05	V07	RS
1	MW5	Ø5 WASHER	35072	1				
2	MN105	M5 NUT	35072	1				
3	57842	MPV PISTON	35072	1				
4	57588	SPRING	35072	1				
5	9711	'O' RING	35072 & KM457E & KM457EP	1				
6	9619	BONDED SEAL G3/4"	35072 & KM457E & KM457EP	1				
7	74620	MPV HOUSING	35072	1				
8	76082	ADJUSTING PLUG	35072	1				
9	77043	MPV NON RETURN VALVE	35072	1				
10	77044	MPV VALVE SEAT	35072 & KM457E & KM457EP	1				
11	73212	MALE STUD G1/4"	KT457E	1				



 <b>CompAir</b> COMPAIR UK LTD. REDDITCH	MINIMUM PRESSURE VALVE ASSEMBLY		
	PL14-V0407-ACE	Edition A	Sheet 1 / 1

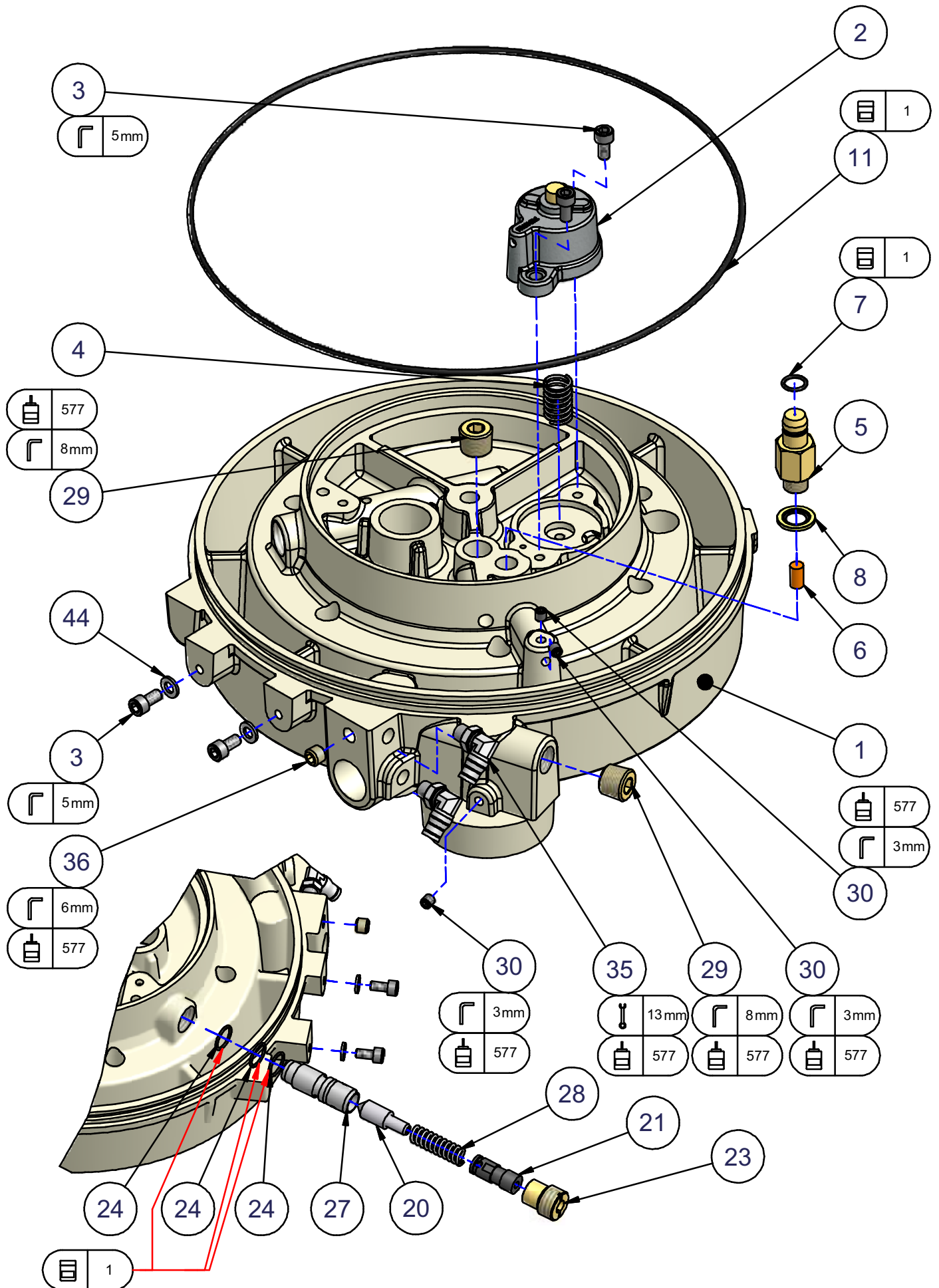
## PL15-V0407-ACE - NON DRIVE END COVER ASSEMBLY

Item	Part Number	Description	Kit	Quantity				
				All	V04	V05	V07	RS
1	75899	NON DRIVE END COVER	34910 & 35063	1				
2	0782	BEARING	34910 & 35063	1				
3	MG706-06	M6x6 GRUB SET SCREW	35063	1				
4	9831	'O' RING	KT457E	2				
5	9704	'O' RING	KT457E	1				
6	76114	UNLOADER VALVE PISTON		1				
7	74612	UNLOADER VALVE HEAD	34963 & KT457E	1				
8	75230	UNLOADER VALVE SEAT	34963 & KT457E	1				
9	74886	UNLOADER RETURN SUPPORT		1				
10	75021	UNLOADER SPRING	KT457E	1				
11	75246	QUADRALIP SEAL	KT457E	1				
12	RO6000-329	RETAINING WASHER	34963 & KT457E	1				
13	75034	UNLOADER VALVE SPRING		1				
14	MS706-12	M6X12 SKT HD CAP SCREW	34963 & KT457E	1				
15	MRP2_22	ROLL PIN		1				
16	75312	VACUUM VALVE INSERT		1				
17	75313	VACUUM VALVE STEM		1				
18	9706	'O' RING	KT457E	1				



## PL16-V0407-ACE - AIR INTAKE COVER ASSEMBLY

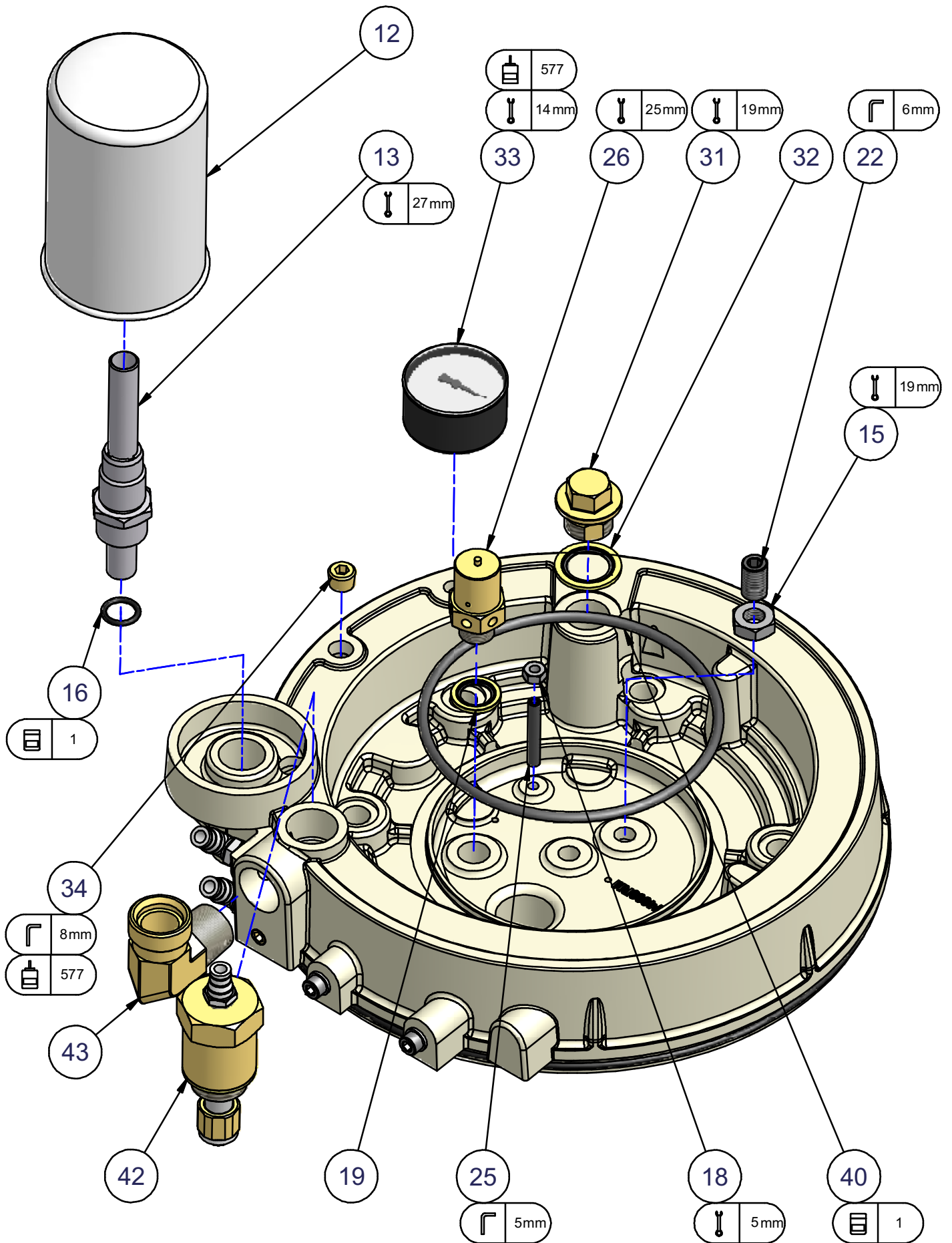
Item	Part Number	Description	Kit	Quantity				
				All	V04	V05	V07	RS
1	75604	INTAKE COVER	35062	1				
2	PL13-V0407-ACE*	VACUUM VALVE ASSEMBLY		1				
3	MS706-12	M6X12 SKT HD CAP SCREW		4				
4	R020000-79	SPRING		1				
5	75205	BARREL COUPLING/OIL RETURN	34808 & KT457E	1				
6	52866	FILTER	34808 & KT457E	1				
7	9708	'O' RING	34808 & KT457E	1				
8	9609	BONDED SEAL G1/4"	34808 & KT457E	7				
9	74605	STATOR STUD M12		6				
10	75001	STATOR NUT M12		6				
11	75099	'O' RING	KT457E	1				
12	98262-214	SEPARATOR ELEMENT	KM457EP & KM457E	1				
13	75210	DISTRIBUTION TUBE		1				
14	95370-0014	HOSE CLAMP		1				
15	MN212	M12 THIN LOCKNUT		2				
16	9750	'O' RING	35062 & KT457E	1				
17	75607	AIR FILTER SPACER		1				
18	MN106	HEX NUT M6		1				
19	9613	BONDED SEAL G3/8"	KT457E	1				
20	74614	SERVO ADJUSTER PLUG		1				
21	56618	SERVO PISTON		1				
22	75000	M12X20 GRUBSCREW		1				
23	75018	SERVO VALVE PLUG		1				
24	9712	'O' RING	35062 & KT457E	3				
25	MG706-40	M6x40 GRUBSCREW		1				
26	50053	SAFETY VALVE (175PSI)		1				
26	50054	SAFETY VALVE (150PSI)		1				
27	75258	SERVO SLEEVE	35062	1				
28	71564	SPRING-SERVO VALVE		1				
29	59425-03	PLUG G3/8"	35062	2				
30	MG1706-06	M6x6 LG SKT SET SCREW	35062	3				
31	75020	OIL FILLER PLUG		1				
32	9617	BONDED SEAL G5/8"	KM457EP & KM457E & KO457EP & KO457E	1				
33	56391	PRESSURE GAUGE -15 BAR	KT457E	1				
34	59425-02	PLUG G1/4"	35062	1				
35	73215	ELBOW G1/8"		2				
36	59425-01	PLUG G1/8"	35062	1				



**PL16-V0407-ACE - AIR INTAKE COVER ASSEMBLY**

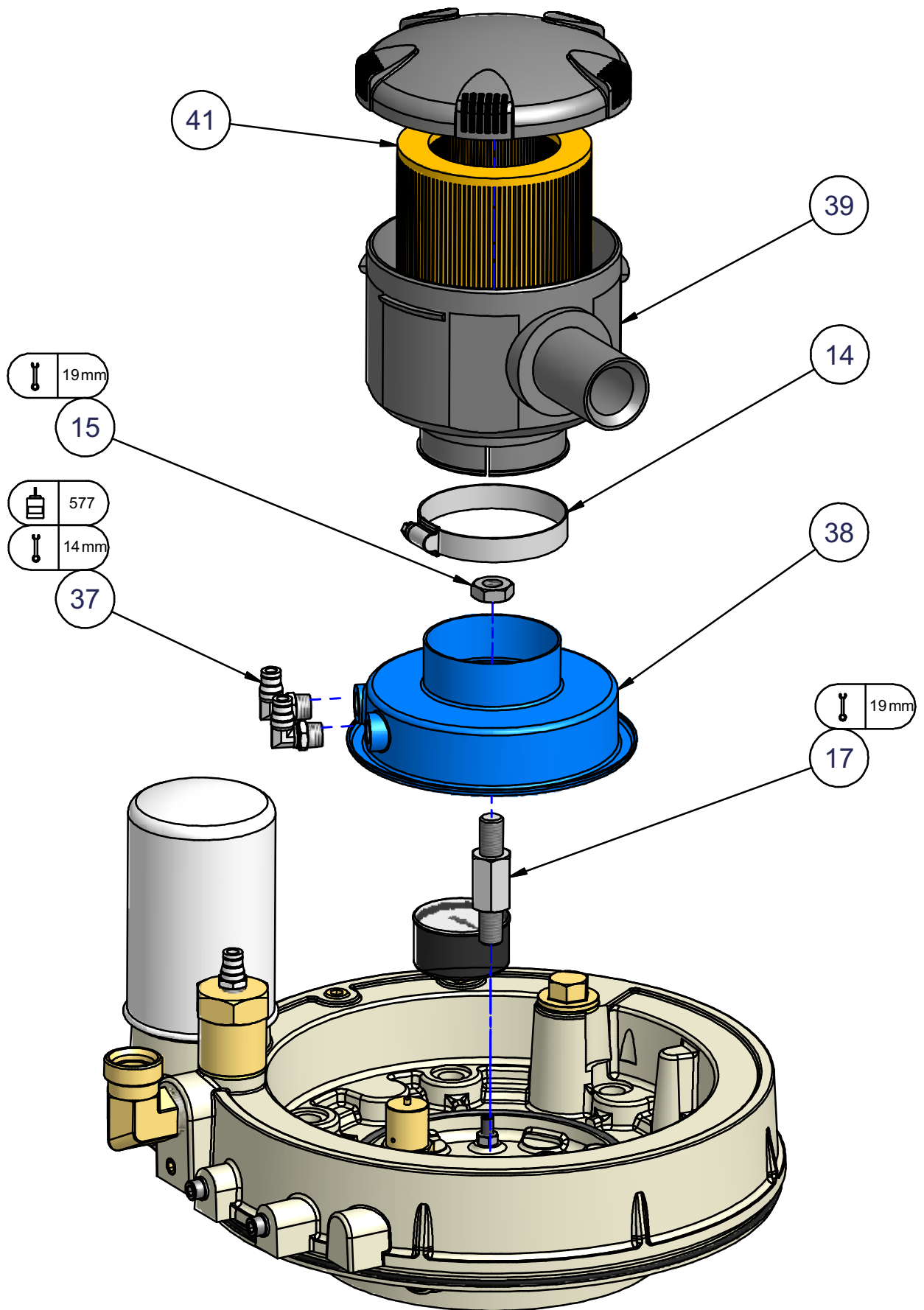
Item	Part Number	Description	Kit	Quantity				
				All	V04	V05	V07	RS
37	73283	ELBOW G1/4"	KT457E	2				
38	75605	AIR FILTER COVER		1				
39	75606	AIR FILTER UNIT		1				
40	75608	'O' RING	KT457E	1				
41	75155	AIR FILTER ELEMENT	KM457EP & KM457E & KO457EP & KO457E	1				
42	PL10-V0407-ACE*	MINIMUM PRESSURE VALVE ASSEMBLY		1				
43	75216	STUD ELBOW G3/4"		1				
44	MW6	M6 WASHER		2				
45	PL15-V0407-ACE*	NON DRIVE END COVER ASSY		1				





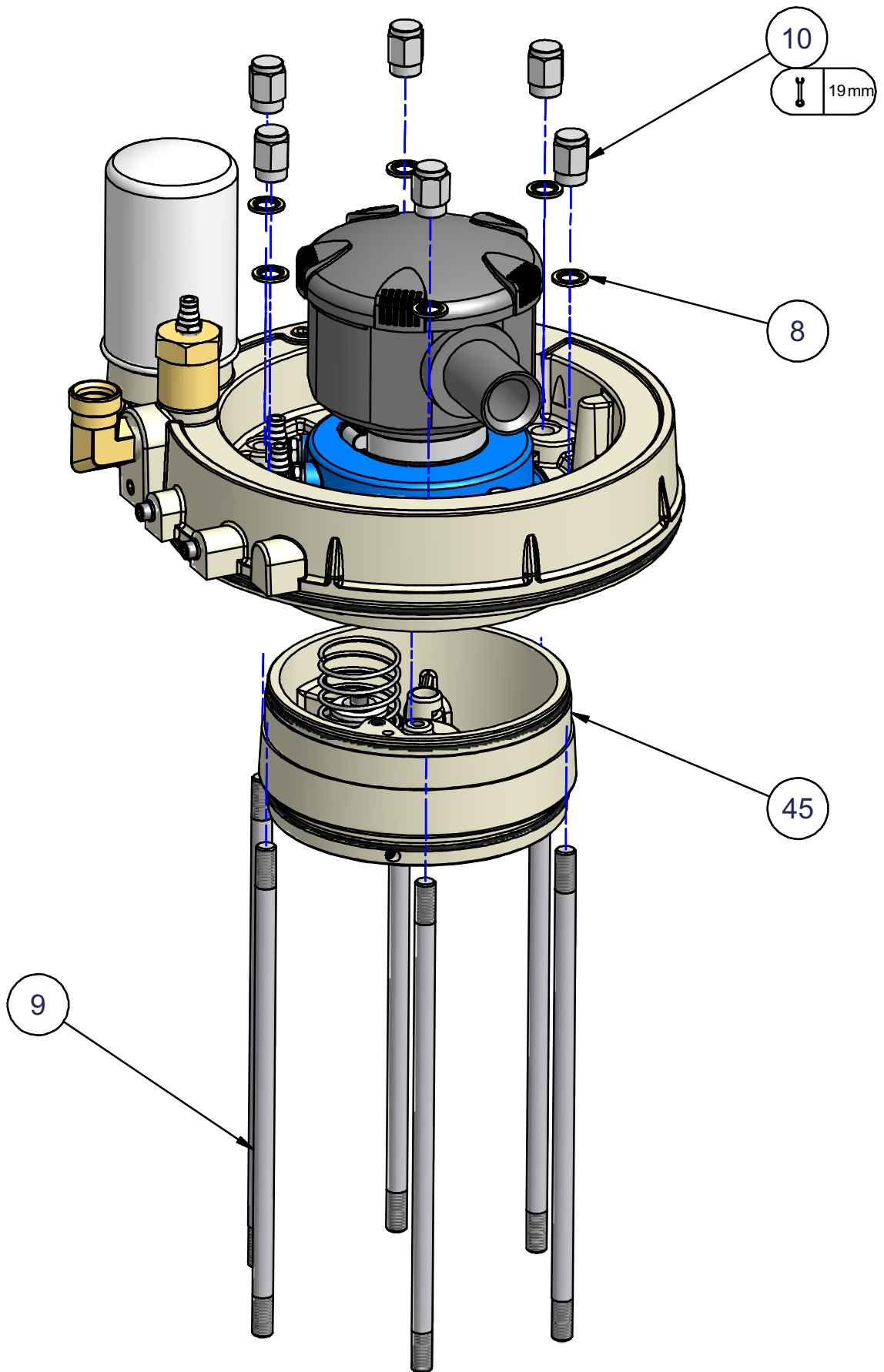
## PL16-V0407-ACE - AIR INTAKE COVER ASSEMBLY

Item	Part Number	Description	Kit	Quantity				
				All	V04	V05	V07	RS
1	75604	INTAKE COVER	35062	1				
2	PL13-V0407-ACE*	VACUUM VALVE ASSEMBLY		1				
3	MS706-12	M6X12 SKT HD CAP SCREW		4				
4	R020000-79	SPRING		1				
5	75205	BARREL COUPLING/OIL RETURN	34808 & KT457E	1				
6	52866	FILTER	34808 & KT457E	1				
7	9708	'O' RING	34808 & KT457E	1				
8	9609	BONDED SEAL G1/4"	34808 & KT457E	7				
9	74605	STATOR STUD M12		6				
10	75001	STATOR NUT M12		6				
11	75099	'O' RING	KT457E	1				
12	98262-214	SEPARATOR ELEMENT	KM457EP & KM457E	1				
13	75210	DISTRIBUTION TUBE		1				
14	95370-0014	HOSE CLAMP		1				
15	MN212	M12 THIN LOCKNUT		2				
16	9750	'O' RING	35062 & KT457E	1				
17	75607	AIR FILTER SPACER		1				
18	MN106	HEX NUT M6		1				
19	9613	BONDED SEAL G3/8"	KT457E	1				
20	74614	SERVO ADJUSTER PLUG		1				
21	56618	SERVO PISTON		1				
22	75000	M12X20 GRUBSCREW		1				
23	75018	SERVO VALVE PLUG		1				
24	9712	'O' RING	35062 & KT457E	3				
25	MG706-40	M6x40 GRUBSCREW		1				
26	50053	SAFETY VALVE (175PSI)		1				
26	50054	SAFETY VALVE (150PSI)		1				
27	75258	SERVO SLEEVE	35062	1				
28	71564	SPRING-SERVO VALVE		1				
29	59425-03	PLUG G3/8"	35062	2				
30	MG1706-06	M6x6 LG SKT SET SCREW	35062	3				
31	75020	OIL FILLER PLUG		1				
32	9617	BONDED SEAL G5/8"	KM457EP & KM457E & KO457EP & KO457E	1				
33	56391	PRESSURE GAUGE -15 BAR	KT457E	1				
34	59425-02	PLUG G1/4"	35062	1				
35	73215	ELBOW G1/8"		2				
36	59425-01	PLUG G1/8"	35062	1				



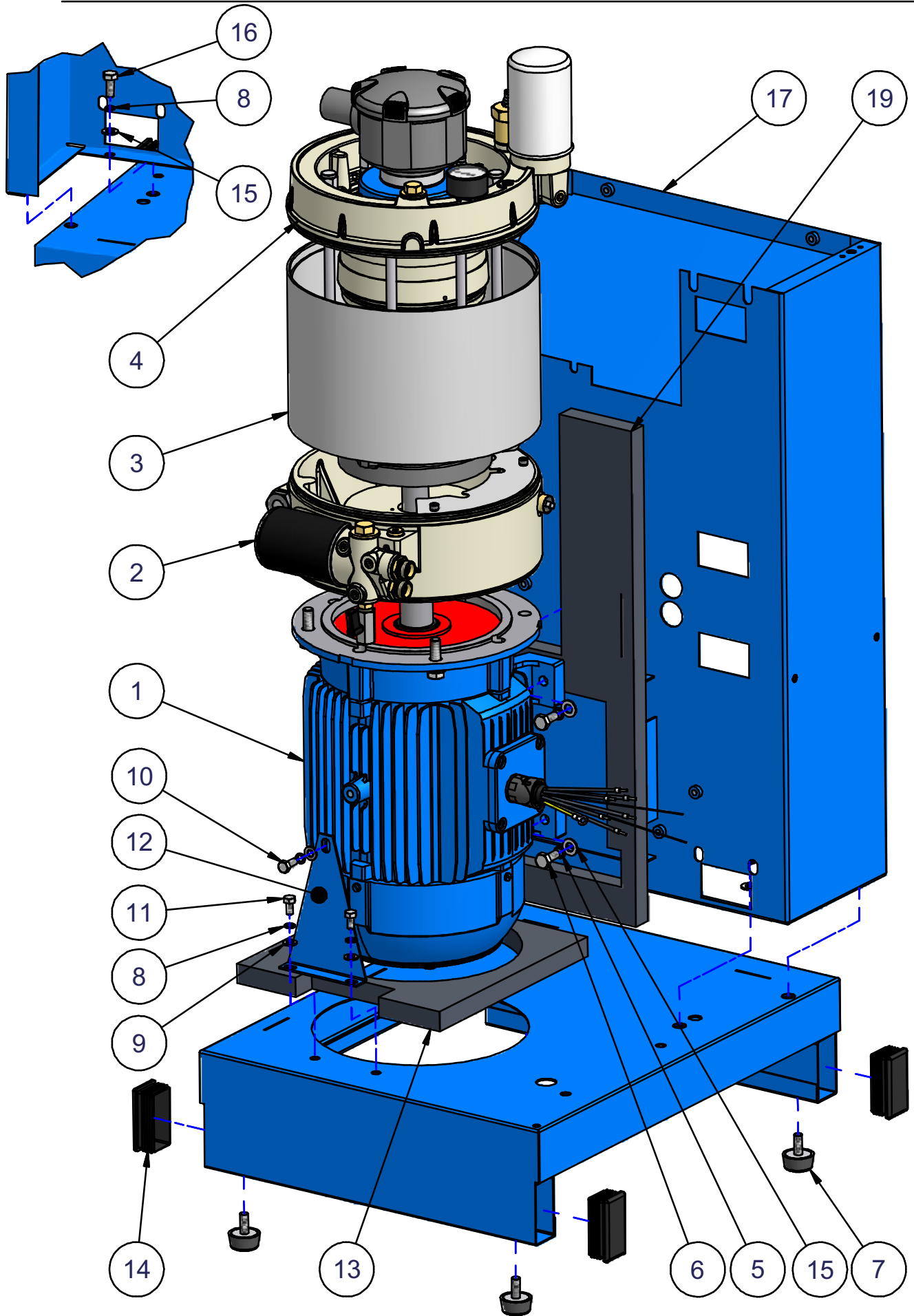
**PL16-V0407-ACE - AIR INTAKE COVER ASSEMBLY**

Item	Part Number	Description	Kit	Quantity				
				All	V04	V05	V07	RS
37	73283	ELBOW G1/4"	KT457E	2				
38	75605	AIR FILTER COVER		1				
39	75606	AIR FILTER UNIT		1				
40	75608	'O' RING	KT457E	1				
41	75155	AIR FILTER ELEMENT	KM457EP & KM457E & KO457EP & KO457E	1				
42	PL10-V0407-ACE*	MINIMUM PRESSURE VALVE ASSEMBLY		1				
43	75216	STUD ELBOW G3/4"		1				
44	MW6	M6 WASHER		2				
45	PL15-V0407-ACE*	NON DRIVE END COVER ASSY		1				



## PL17-V0707-ACE - BASE BUILD ASSEMBLY

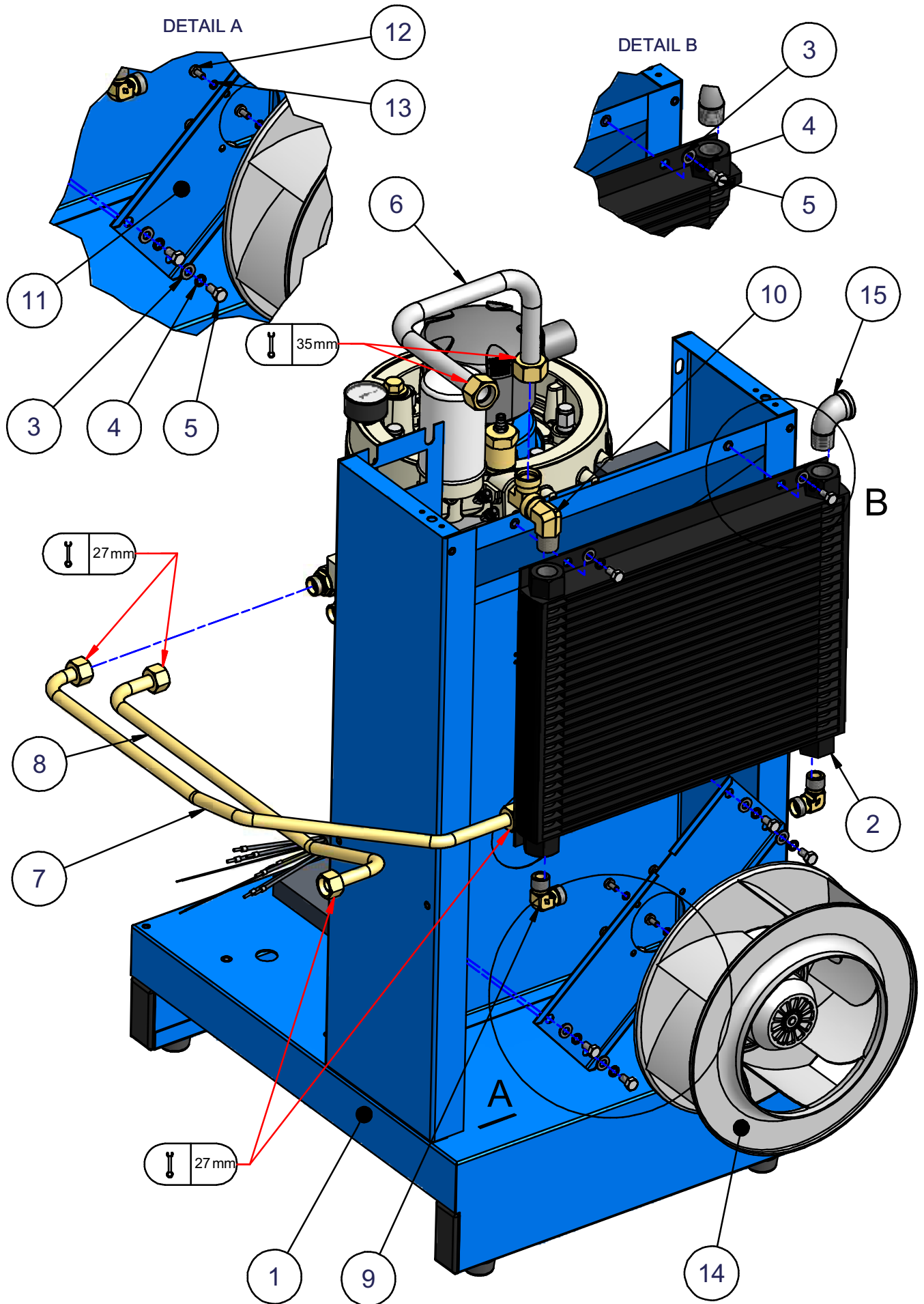
Item	Part Number	Description	Kit	Quantity				
				All	V04	V05	V07	RS
1	PL10-V0407-ACE*	MOTOR ASSEMBLY		1				
2	PL11-V0407-ACE*	DRIVE END COVER ASSEMBLY		1				
3	PL12-V0407-ACE*	ROTOR STATOR ASSEMBLY		1				
4	PL16-V0407-ACE*	AIR INTAKE COVER ASSEMBLY		1				
5	MWG10	M10 SPRING WASHER		4				
6	MS110x40	M10x25 HEX HEAD SCREW		4				
7	75041	AVA MOUNT		4				
8	MWG8	M8 SPRING WASHER		7				
9	MW8	M8 WASHER		3				
10	MS108-20	M8x20 HEX HEAD SCREW		1				
11	MS108-16	M8x16 HEX HEAD SCREW		2				
12	75900	MOTOR BRACKET		1				
13	75875	FOAM. PLINTH		1				
14	75128	END PLUG		4				
15	MW10	M10 WASHER		8				
16	MS110-25	M10x25 HEX HEAD SCREW		4				
17	75614	COLUMN		1				
18	75613	PLINTH		1				
19	75871	FOAM. COLUMN		1				



**PL18-V0407-ACE - COOLER & FAN ASSEMBLY**

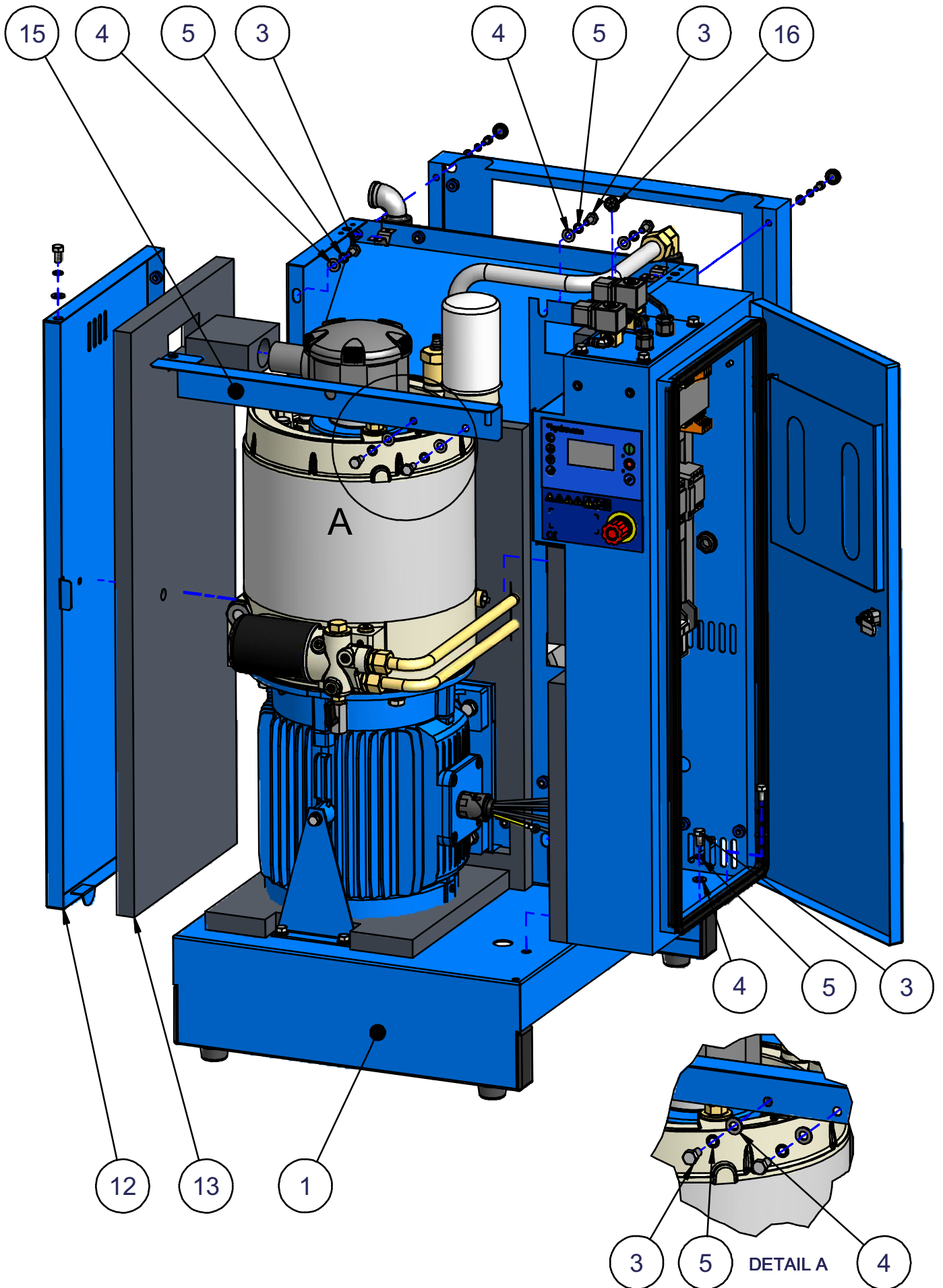
Item	Part Number	Description	Kit	Quantity				
				All	V04	V05	V07	RS
1	PL17-V0407-ACE*	AIR INTAKE COVER ASSEMBLY		1				
2	71432	OIL COOLER		1				
3	MW8	M8 WASHER		6				
4	MWG8	M8 SPRING WASHER		6				
5	MS108-16	M8x16 HEX HEAD SCREW		6				
6	76015	AIR OUTLET PIPE		1				
7	76044	OIL FEED PIPE		1				
8	76045	OIL RETURN PIPE		1				
9	75602	ELBOW R1/2"-15MM		2				
10	75216	STUD ELBOW G3/4"-22MM		1				
11	75227	FAN BRACKET		1				
12	MS2106-12	M6x12 POZ PAN HEAD		4				
13	MWG6	SPRING WASHER M6		4				
14	74685	FAN UNIT 230V 50HZ 3PH (4.0/5.5/7.5KW 50HZ 3PH)			1	1	1	
14	76062	FAN UNIT 230V 50/60HZ 1PH (4.0/5.5/7.5KW 60HZ 3PH) + (4.0/5.5KW 60HZ 1PH) + (7.5KW RS)			1	1	1	1
15	75885	ELBOW R3/4"		1				






## PL19-V0407-ACE - PANEL ASSEMBLY

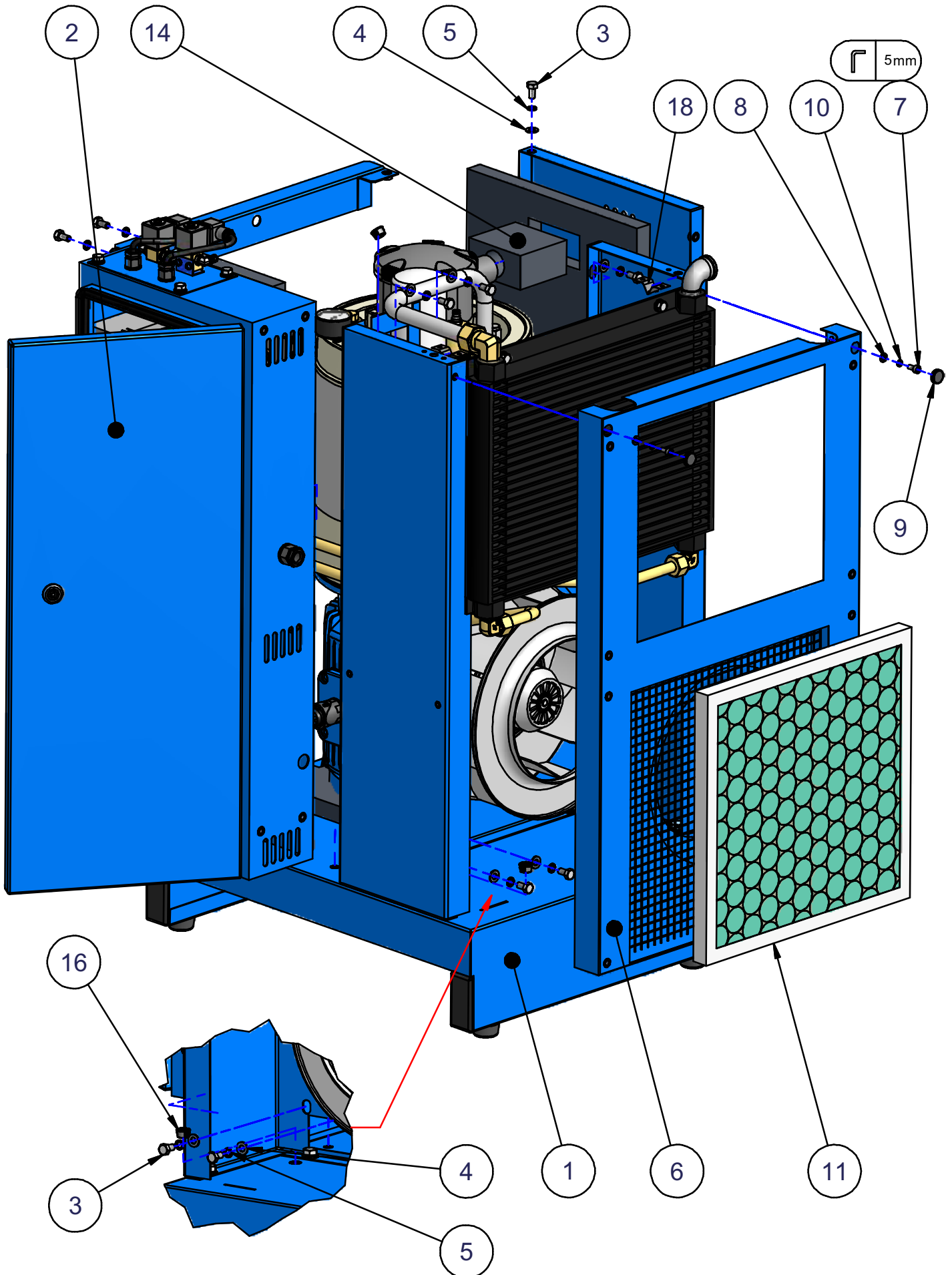
Item	Part Number	Description	Kit	Quantity				
				All	V04	V05	V07	RS
1	PL18-V0407-ACE*	COOLER & FAN ASSEMBLY		1				
2	PL20-V0407-ACE*	4.0/5.5/7.5KW 400V 50HZ 3PH STAR DELTA STARTER			1	1	1	
2	PL21-V0407-ACE*	4.0/5.5KW 400V 50HZ 3PH DOL STARTER			1	1		
2	PL22-V0407-ACE*	4.0/5.5KW 230V 60HZ 1PH DOL STARTER			1	1		
2	PL23-V0407-ACE*	4.0/5.5/7.5KW 200/230/460/575V 60HZ 3PH DOL STARTER			1	1	1	
2	PL24-V0407-ACE*	7.5KW 400/460V 50/60HZ RS STARTER						1
3	MS108-16	M8x16 HEX HEAD SCREW		11				
4	MW8	M8 WASHER		10				
5	MWG8	M8 SPRING WASHER		10				
6	75863	REAR PANEL		1				
7	MS706-12	M6X12 SKT HD CAP SCREW		2				
8	MW6	M6 WASHER		4				
9	74342	GROMMET		2				
10	MWG6	SPRING WASHER M6		2				
11	74695	CABINET FILTER	KF457E	1				
12	75615	LH SIDE PANEL		1				
13	75872	FOAM.LH PANEL		1				
14	75286	FOAM INTAKE	KM457E	1				
15	75983	TOP SUPPORT		1				
16	56095	BUSH HEYCO		3				
17	75862	TOP PANEL		1				
18	74406	SPRING LATCH		2				
19	74405	BALL STUD		2				
20	MN106	HEX NUT-M6		2				
21	75861	FRONT PANEL		1				
22	75950	DOOR CATCH		1				
23	75870	FOAM.FRONT PANEL		1				
24	MN208	M8 HEX NUT		1				
25	70832	DOOR SEAL		1				
26	75989	HYDROVANE LOGO		1				
27	74455	LABEL MODEL LOGO HV07					1	
27	74928	LABEL MODEL LOGO HV07RS						1
27	74454	LABEL MODEL LOGO HV05				1		
27	76007	LABEL MODEL LOGO HV04			1			
28	75874	FOAM.TOP PANEL		1				




 <b>CompAir</b> COMPAIR UK LTD. REDDITCH	PANEL ASSEMBLY		
	PL19-V0407-ACE	Edition A	Sheet 1 / 3

## PL19-V0407-ACE - PANEL ASSEMBLY

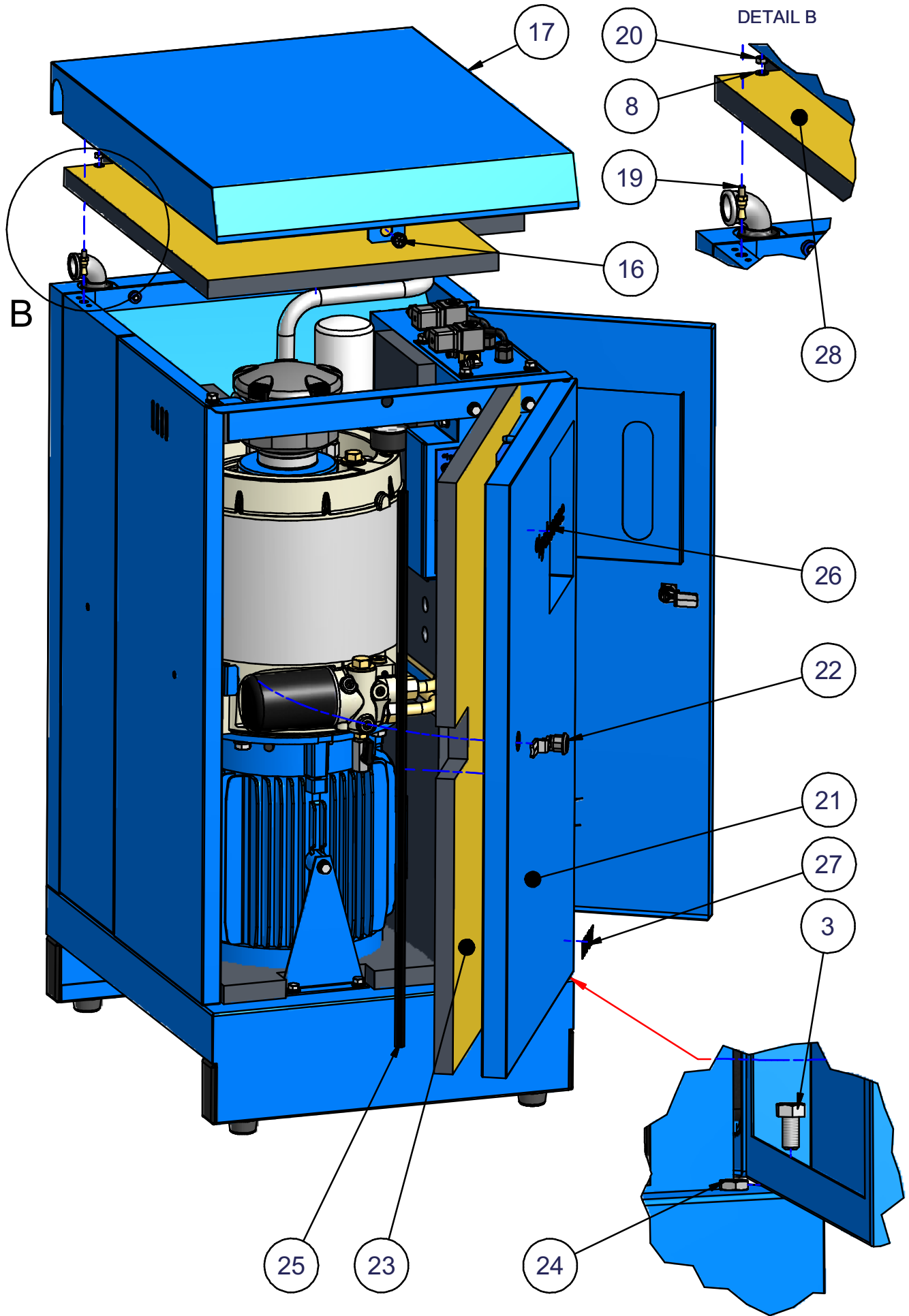
Item	Part Number	Description	Kit	Quantity				
				All	V04	V05	V07	RS
1	PL18-V0407-ACE*	COOLER & FAN ASSEMBLY		1				
2	PL20-V0407-ACE*	4.0/5.5/7.5KW 400V 50HZ 3PH STAR DELTA STARTER			1	1	1	
2	PL21-V0407-ACE*	4.0/5.5KW 400V 50HZ 3PH DOL STARTER			1	1		
2	PL22-V0407-ACE*	4.0/5.5KW 230V 60HZ 1PH DOL STARTER			1	1		
2	PL23-V0407-ACE*	4.0/5.5/7.5KW 200/230/460/575V 60HZ 3PH DOL STARTER			1	1	1	
2	PL24-V0407-ACE*	7.5KW 400/460V 50/60HZ RS STARTER						1
3	MS108-16	M8x16 HEX HEAD SCREW		11				
4	MW8	M8 WASHER		10				
5	MWG8	M8 SPRING WASHER		10				
6	75863	REAR PANEL		1				
7	MS706-12	M6X12 SKT HD CAP SCREW		2				
8	MW6	M6 WASHER		4				
9	74342	GROMMET		2				
10	MWG6	SPRING WASHER M6		2				
11	74695	CABINET FILTER	KF457E	1				
12	75615	LH SIDE PANEL		1				
13	75872	FOAM.LH PANEL		1				
14	75286	FOAM INTAKE	KM457E	1				
15	75983	TOP SUPPORT		1				
16	56095	BUSH HEYCO		3				
17	75862	TOP PANEL		1				
18	74406	SPRING LATCH		2				
19	74405	BALL STUD		2				
20	MN106	HEX NUT-M6		2				
21	75861	FRONT PANEL		1				
22	75950	DOOR CATCH		1				
23	75870	FOAM.FRONT PANEL		1				
24	MN208	M8 HEX NUT		1				
25	70832	DOOR SEAL		1				
26	75989	HYDROVANE LOGO		1				
27	74455	LABEL MODEL LOGO HV07					1	
27	74928	LABEL MODEL LOGO HV07RS						1
27	74454	LABEL MODEL LOGO HV05				1		
27	76007	LABEL MODEL LOGO HV04			1			
28	75874	FOAM.TOP PANEL		1				




 <b>CompAir</b> COMPAIR UK LTD. REDDITCH	PANEL ASSEMBLY		
	PL19-V0407-ACE	Edition A	Sheet 2 / 3

## PL19-V0407-ACE - PANEL ASSEMBLY

Item	Part Number	Description	Kit	Quantity				
				All	V04	V05	V07	RS
1	PL18-V0407-ACE*	COOLER & FAN ASSEMBLY		1				
2	PL20-V0407-ACE*	4.0/5.5/7.5KW 400V 50HZ 3PH STAR DELTA STARTER			1	1	1	
2	PL21-V0407-ACE*	4.0/5.5KW 400V 50HZ 3PH DOL STARTER			1	1		
2	PL22-V0407-ACE*	4.0/5.5KW 230V 60HZ 1PH DOL STARTER			1	1		
2	PL23-V0407-ACE*	4.0/5.5/7.5KW 200/230/460/575V 60HZ 3PH DOL STARTER			1	1	1	
2	PL24-V0407-ACE*	7.5KW 400/460V 50/60HZ RS STARTER						1
3	MS108-16	M8x16 HEX HEAD SCREW		11				
4	MW8	M8 WASHER		10				
5	MWG8	M8 SPRING WASHER		10				
6	75863	REAR PANEL		1				
7	MS706-12	M6X12 SKT HD CAP SCREW		2				
8	MW6	M6 WASHER		4				
9	74342	GROMMET		2				
10	MWG6	SPRING WASHER M6		2				
11	74695	CABINET FILTER	KF457E	1				
12	75615	LH SIDE PANEL		1				
13	75872	FOAM.LH PANEL		1				
14	75286	FOAM INTAKE	KM457E	1				
15	75983	TOP SUPPORT		1				
16	56095	BUSH HEYCO		3				
17	75862	TOP PANEL		1				
18	74406	SPRING LATCH		2				
19	74405	BALL STUD		2				
20	MN106	HEX NUT-M6		2				
21	75861	FRONT PANEL		1				
22	75950	DOOR CATCH		1				
23	75870	FOAM.FRONT PANEL		1				
24	MN208	M8 HEX NUT		1				
25	70832	DOOR SEAL		1				
26	75989	HYDROVANE LOGO		1				
27	74455	LABEL MODEL LOGO HV07					1	
27	74928	LABEL MODEL LOGO HV07RS						1
27	74454	LABEL MODEL LOGO HV05				1		
27	76007	LABEL MODEL LOGO HV04			1			
28	75874	FOAM.TOP PANEL		1				

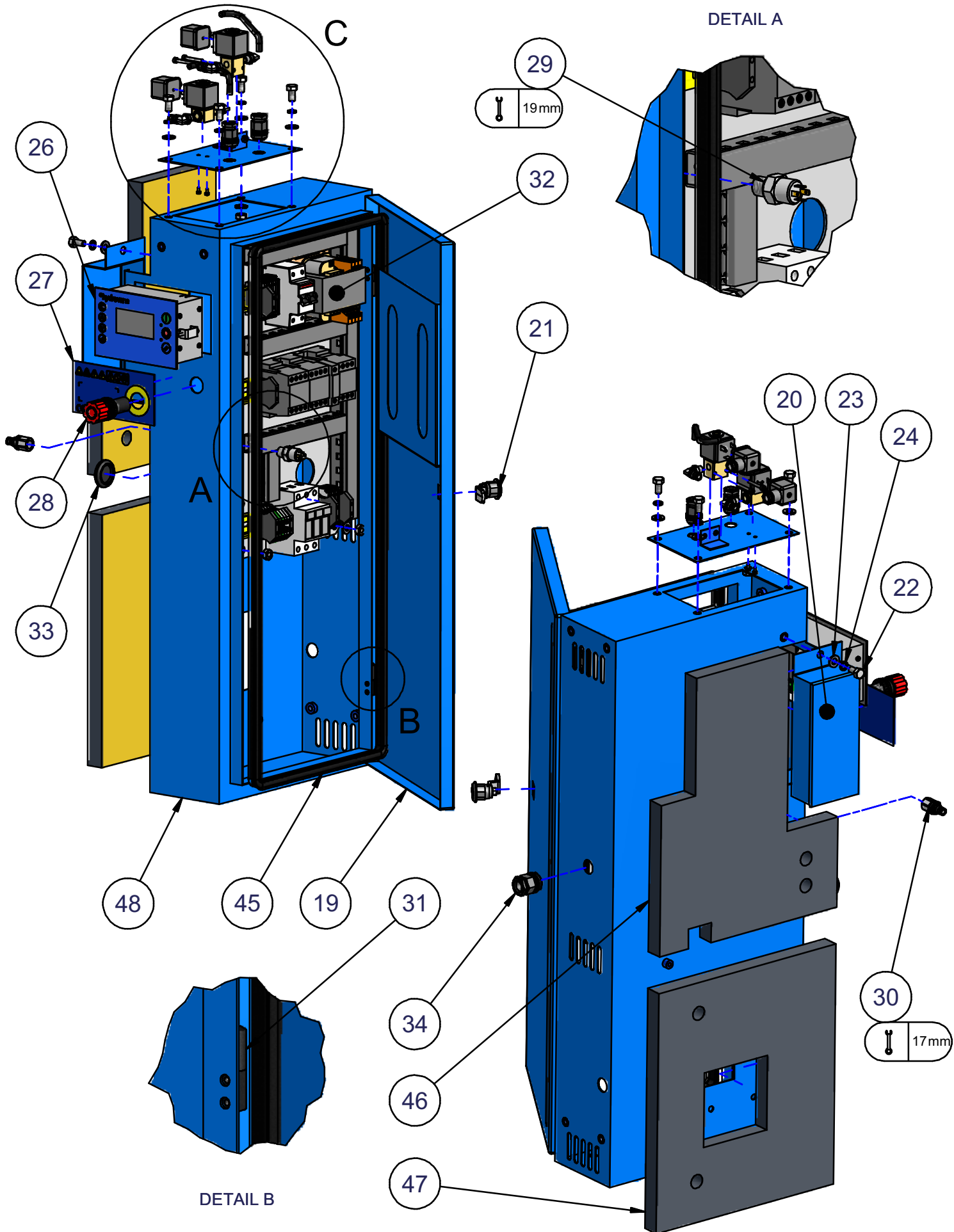


 <b>CompAir</b> COMPAIR UK LTD. REDDITCH	PANEL ASSEMBLY		
	PL19-V0407-ACE	Edition A	Sheet 3 / 3

## PL20-V0407-ACE - 4.0/5.5/7.5KW 400V 50HZ 3PH STAR-DELTA STARTER

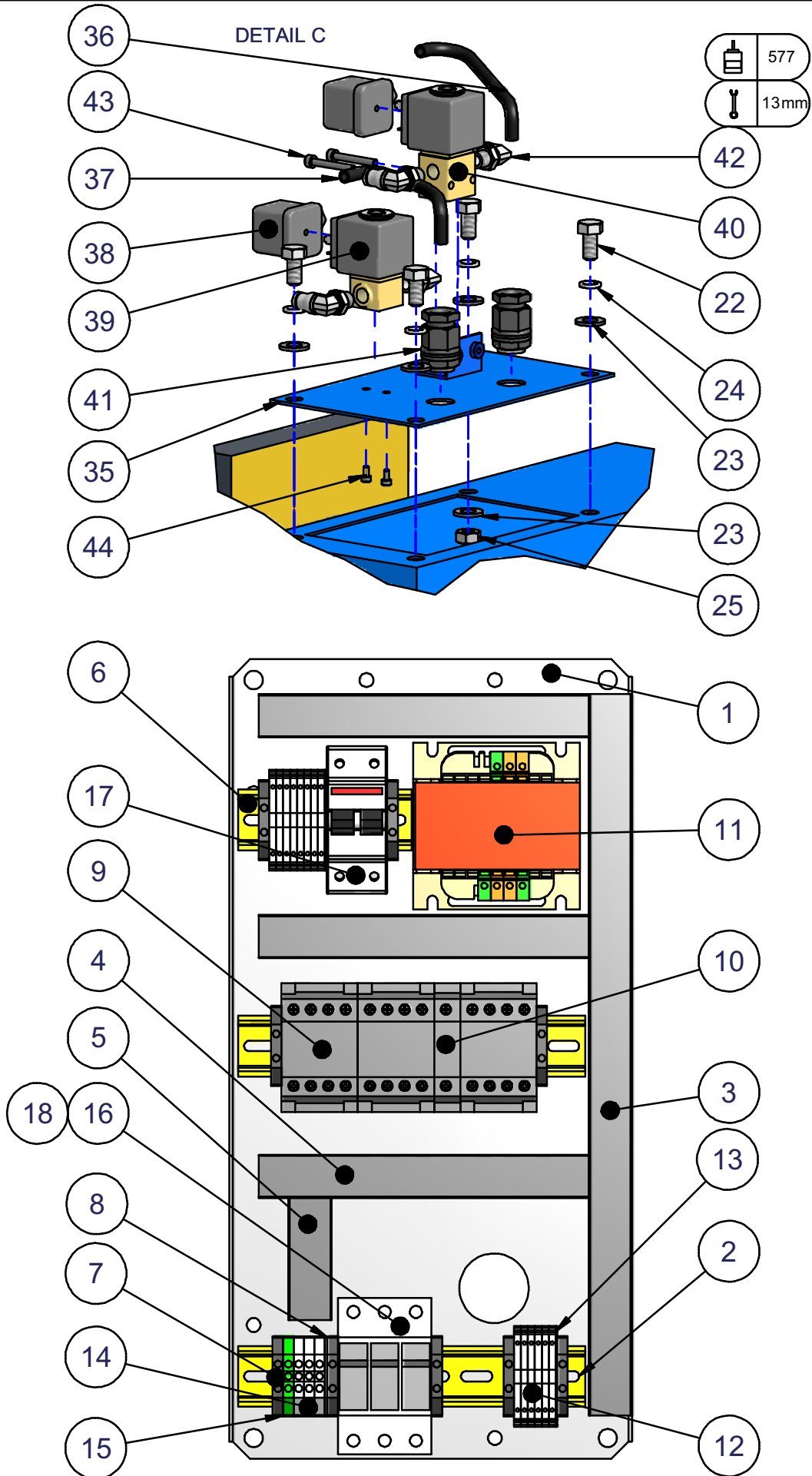
Item	Part Number	Description	Kit	Quantity				
				All	V04	V05	V07	RS
1	76360	CHASSIS PLATE			1	1	1	
2	DIN RAIL_ 200	DIN RAIL 200MM LG			2	2	2	
3	TRUNKING_415	25X40X415MM LG			1	1	1	
4	TRUNKING_190	25X40X190MM LG			3	3	3	
5	TRUNKING_70	25X40X70MM LG			1	1	1	
6	DIN RAIL6	DIN RAIL 100MM LG			1	1	1	
7	76156	TERMINAL END BLOCK			9	9	9	
8	76157	MAINS TERMINAL END SECTION			1	1	1	
9	75809	CONTACTOR 12A	KC457ESD & KE457ESD		3	3	3	
10	74897	MECHANICAL INTERLOCK	KC457ESD & KE457ESD		1	1	1	
11	77069	TRANSFORMER 0/400V 50VAC/100VAC SEC			1	1	1	
12	77071	1.5MM CONTROL TERMINAL			14	14	14	
13	77073	1.5MM CONTROL TERMINAL END SECTION			2	2	2	
14	76153	6MM MAINS TERMINAL			3	3	3	
15	76160	6MM MAINS EARTH TERMINAL			1	1	1	
16	FUSE HOLDER	FUSE HOLDER			1	1	1	
17	77105	CIRCUIT BREAKER 400V 50/60HZ 2 POLE 3AMPS			1	1	1	
18	77109	2A 500VAC FUSE (CE/IEC)	KE457ESD		3	3	3	
19	76371	ENCLOSURE DOOR ASSY			1	1	1	
20	76070	STARTER COVER			1	1	1	
21	75950	DOOR CATCH			1	1	1	
22	MS108-16	M8x16 HEX HEAD SCREW			5	5	5	
23	MW8	M8 WASHER			17	17	17	
24	MWG8	M8 SPRING WASHER			5	5	5	
25	MN108	M8 NUT			12	12	12	
26	76042	ELECTRONIC CONTROLLER			1	1	1	
27	76064	STARTER LABEL			1	1	1	
28	76161	EMERGENCY STOP	KE457ESD		1	1	1	
29	76081	PRESSURE TRANSDUCER	KE457ESD		1	1	1	
30	73245	LEGRIS BULKHEAD 6MM			1	1	1	
31	76372	HINGE			2	2	2	
32	34986	CHASSIS PLATE 400V 50HZ 3PH STAR- DELTA			1	1	1	
33	76403	GROMMET			1	1	1	
34	59800	CABLE GLAND M20			1	1	1	
35	77051	SOLENOID VALVE BRACKET			1	1	1	
36	SOL CABLE 4	SOLENOID CABLE			1	1	1	
37	SOL CABLE 5	SOLENOID CABLE			1	1	1	
38	SOL_CAP	SOLENOID PLUG			2	2	2	
39	74377	SOLENOID VALVE (N.C)	KSVSD		1	1	1	
40	73841	SOLENOID VALVE (N.O)	KSVSD		1	1	1	





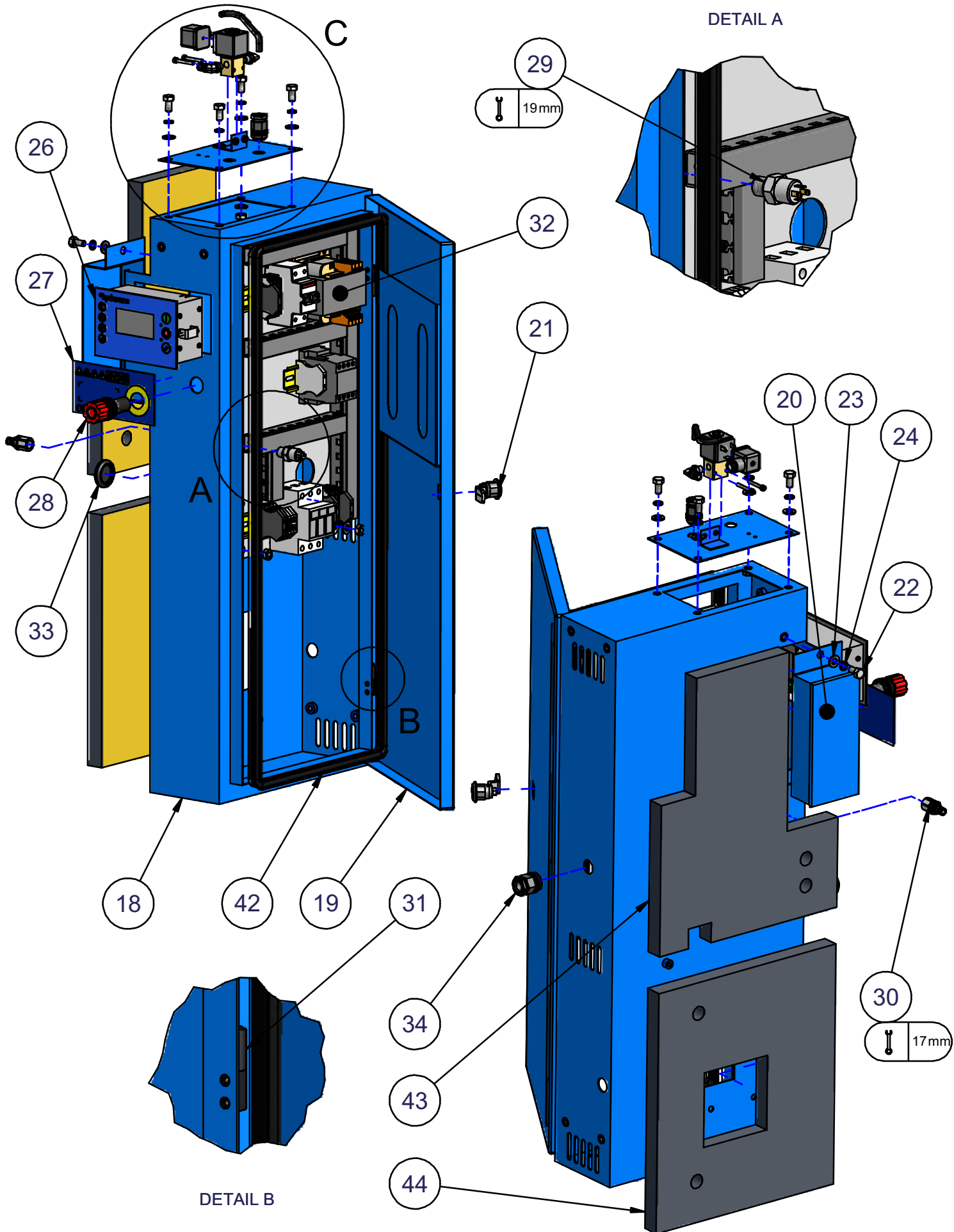
**PL20-V0407-ACE - 4.0/5.5/7.5KW 400V 50HZ 3PH STAR-DELTA STARTER**

Item	Part Number	Description	Kit	Quantity				
				All	V04	V05	V07	RS
41	72112	CABLE GLAND M16			2	2	2	
42	73215	ELBOW G1/8"	KSVSD		4	4	4	
43	MS704-30	CAP HEAD M4X30 LONG			2	2	2	
44	MS703-06	CAP HEAD M3X6 LONG			2	2	2	
45	77054	DOOR SEALING GASKET			1	1	1	
46	75879	TOP STARTER FOAM			1	1	1	
47	76136	BOTTOM STARTER FOAM			1	1	1	
48	76370	STARTER ENCLOSURE			1	1	1	



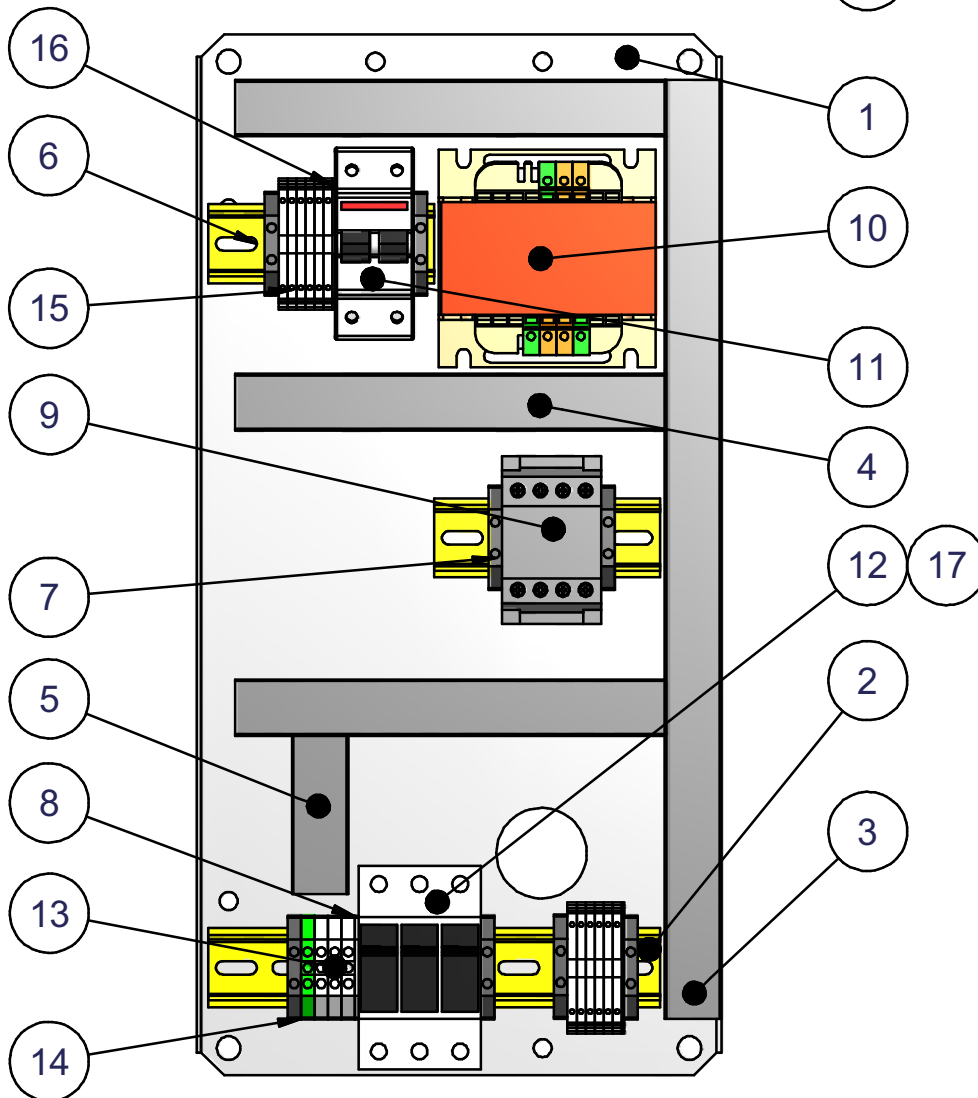
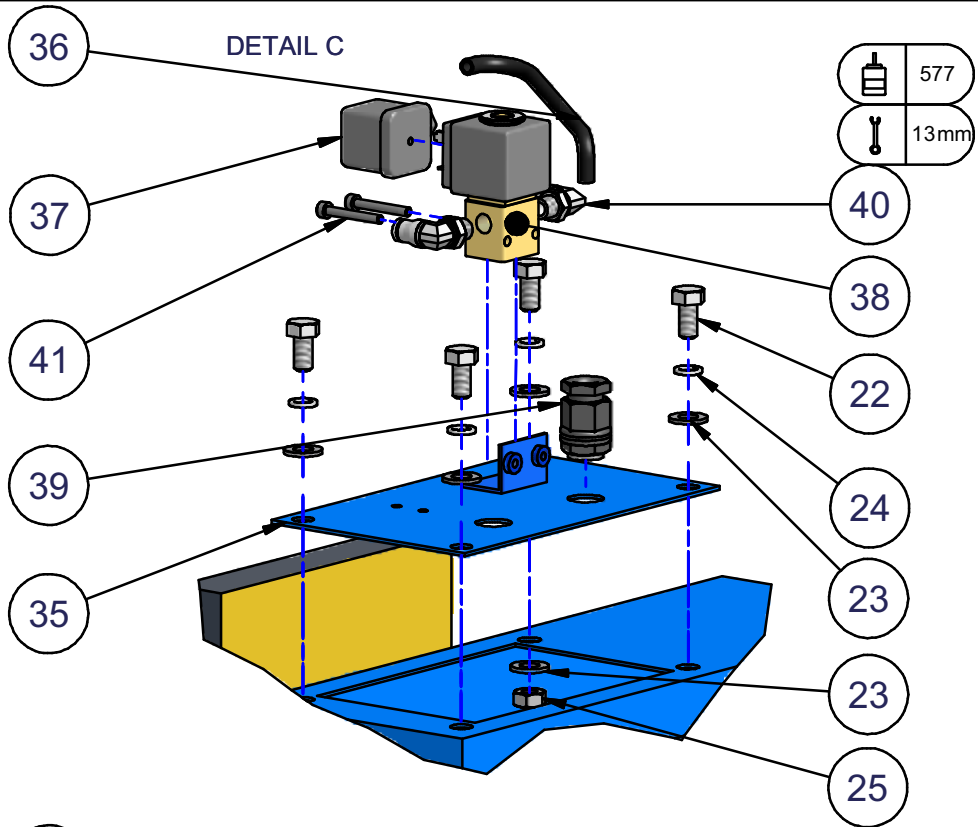
## PL21-V0407-ACE - 4.0/5.5/7.5KW 400V 50HZ 3PH DOL STARTER

Item	Part Number	Description	Kit	Quantity				
				All	V04	V05	V07	RS
1	76360	CHASSIS PLATE			1	1	1	
2	DIN RAIL_ 200	DIN RAIL 200MM LG			1	1	1	
3	TRUNKING_ 415	25X40X415MM LG			1	1	1	
4	TRUNKING_ 190	25X40X190MM LG			3	3	3	
5	TRUNKING_ 70	25X40X70MM LG			1	1	1	
6	DIN RAIL6	DIN RAIL 100MM LG			2	2	2	
7	76156	TERMINAL END BLOCK			8	8	8	
8	76157	MAINS TERMINAL END SECTION			1	1	1	
9	75811	CONTACTOR 16A	KC457DOL & KE457EDOL		1	1	1	
10	77069	TRANSFORMER 0/400V 50VAC/100VAC SEC			1	1	1	
11	77105	CIRCUIT BREAKER 400V 50/60HZ 2 POLE 3AMPS			1	1	1	
12	FUSE HOLDER	FUSE HOLDER			1	1	1	
13	76153	6MM MAINS TERMINAL			3	3	3	
14	76160	6MM MAINS EARTH TERMINAL			1	1	1	
15	77071	1.5MM CONTROL TERMINAL			12	12	12	
16	77073	1.5MM CONTROL TERMINAL END SECTION			2	2	2	
17	77109	2A 500VAC FUSE (CE/IEC)	KE457EDOL		3	3	3	
18	76370	STARTER ENCLOSURE			1	1	1	
19	76371	ENCLOSURE DOOR ASSY			1	1	1	
20	76070	STARTER COVER			1	1	1	
21	75950	DOOR CATCH			1	1	1	
22	MS108-16	M8x16 HEX HEAD SCREW			5	5	5	
23	MW8	M8 WASHER			17	17	17	
24	MWG8	M8 SPRING WASHER			5	5	5	
25	MN108	M8 NUT			12	12	12	
26	76042	ELECTRONIC CONTROLLER			1	1	1	
27	76064	STARTER LABEL			1	1	1	
28	76161	EMERGENCY STOP	KE457EDOL		1	1	1	
29	76081	PRESSURE TRANSDUCER	KE457EDOL		1	1	1	
30	73245	LEGRIS BULKHEAD 6MM			1	1	1	
31	76372	HINGE			2	2	2	
32	34984	CHASSIS PLATE 4.0/5.5/7.5KW 400V 50HZ 3PH DOL			1	1	1	
33	76403	GROMMET			1	1	1	
34	59800	CABLE GLAND M20			1	1	1	
35	77051	SOLENOID VALVE BRACKET			1	1	1	
36	SOL_CABLE 4	SOLENOID CABLE			1	1	1	
37	SOL_CAP	SOLENOID PLUG			1	1	1	
38	73841	SOLENOID VALVE (N.O)	KSVDOL		1	1	1	
39	72112	CABLE GLAND M16			1	1	1	
40	73215	ELBOW G1/8"	KSVDOL		2	2	2	



**PL21-V0407-ACE - 4.0/5.5/7.5KW 400V 50HZ 3PH DOL STARTER**

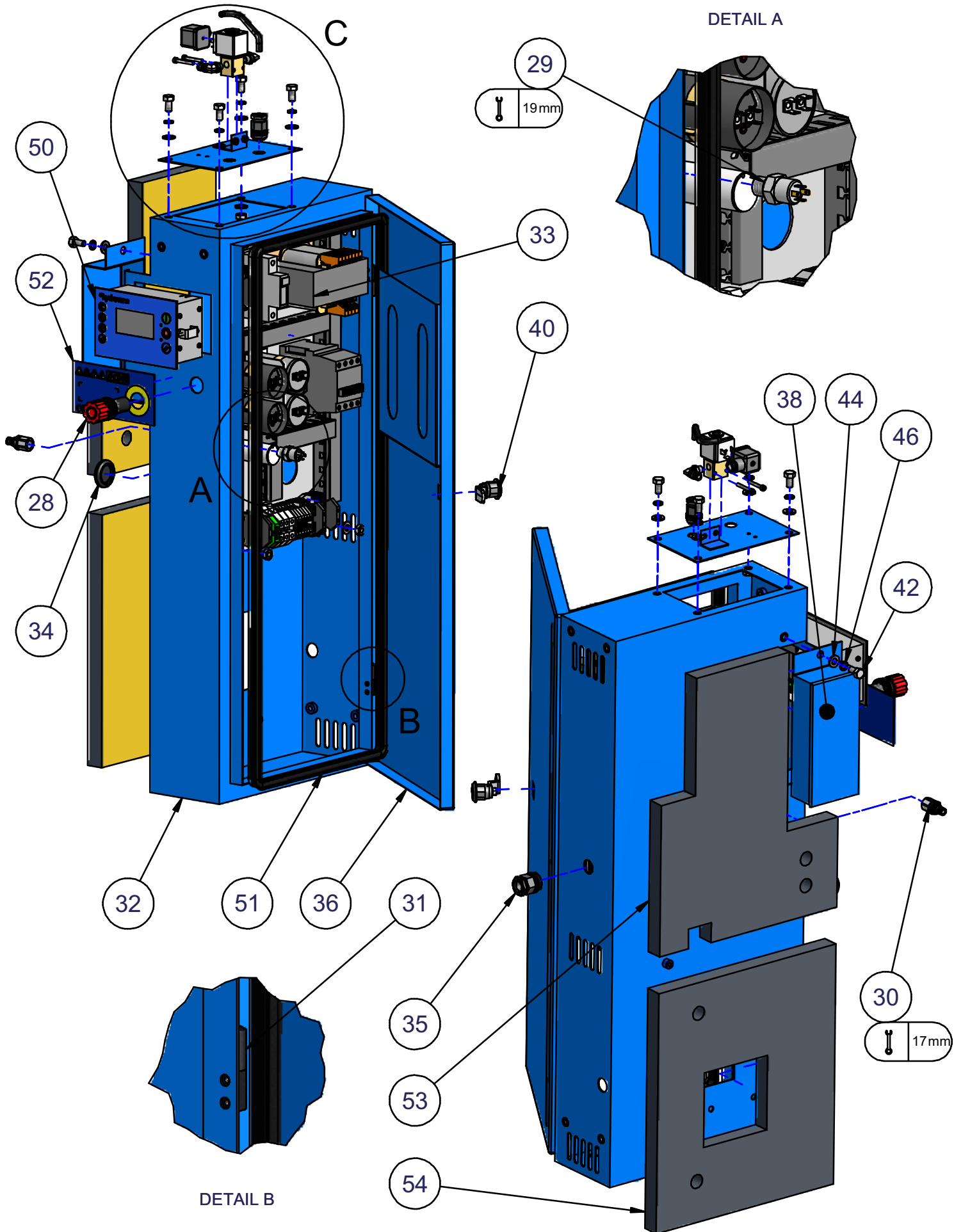
Item	Part Number	Description	Kit	Quantity				
				All	V04	V05	V07	RS
41	MS704-30	CAP HEAD M4X30 LONG			2	2	2	
42	77054	DOOR SEALING GASKET			1	1	1	
43	75879	TOP STARTER FOAM			1	1	1	
44	76136	BOTTOM STARTER FOAM			1	1	1	




## PL22-V0407-ACE - 4.0/5.5KW 230V 60HZ 1PH DOL STARTER

Item	Part Number	Description	Kit	Quantity				
				All	V04	V05	V07	RS
1	76360	CHASSIS PLATE			1	1		
2	TRUNKING_190	25X40X190MM LG			2	2		
3	TRUNKING_415	25X40X415MM LG			1	1		
4	TRUNKING_130	25X40X130MM LG			1	1		
5	DIN RAIL6	DIN RAIL 100MM LG			1	1		
6	76159	CONTROL TERMINAL END SECTION			1	1		
7	76156	TERMINAL END BLOCK			7	7		
8	76158	2.5MM CONTROL TERMINAL			4	4		
9	76078	CONTACTOR 40A	KE457E-230		1	1		
10	TRUNKING_70	25X40X70MM LG			1	1		
11	76153	6MM MAINS TERMINAL			7	7		
12	76157	MAINS TERMINAL END SECTION			1	1		
13	76079	BRACKET CAPACITORS			1	1		
14	76074	START CAPACITOR	KE457E-230		2	2		
15	76073	RUN CAPACITOR	KE457E-230		2	2		
16	CAPACITOR CLIP	CAPACITOR CLIP			4	4		
17	76072	CAPACITOR 4UF	KE457E-230		1	1		
18	DIN RAIL 160	DIN RAIL 160MM LG			1	1		
19	77111	3.0A 500VAC FUSE (UL/CSA)	KE457E-230		1	1		
20	FUSE HOLDER	FUSE HOLDER			1	1		
21	76191	10MM MAINS TERMINAL			3	3		
22	76194	10MM MAINS TERMINAL END SECTION			1	1		
23	76192	10MM MAINS EARTH TERMINAL			1	1		
24	77071	1.5MM CONTROL TERMINAL			12	12		
25	77073	1.5MM CONTROL TERMINAL END SECTION			2	2		
26	77070	TRANSFORMER 0/200/230/400/460/575V P196VAC 50VAC/100VAC SEC (UL)			1	1		
27	DIN RAIL 60	DIN RAIL 60MM LG			1	1		
28	76161	EMERGENCY STOP	KE457E-230		1	1		
29	76081	PRESSURE TRANSDUCER	KE457E-230		1	1		
30	73245	LEGRIS BULKHEAD 6MM			1	1		
31	76372	HINGE			2	2		
32	76370	STARTER ENCLOSURE			1	1		
33	34983	CHASSIS PLATE 4.0/5.5KW 230V 1PH 60HZ DOL			1	1		
34	76403	GROMMET			1	1		
35	59800	CABLE GLAND M20			1	1		
36	76371	ENCLOSURE DOOR ASSY			1	1		
37	77051	SOLENOID VALVE BRACKET			1	1		
38	76070	STARTER COVER			1	1		
39	SOL PIPE 4	SOLENOID CABLE			1	1		
40	75950	DOOR CATCH			1	1		

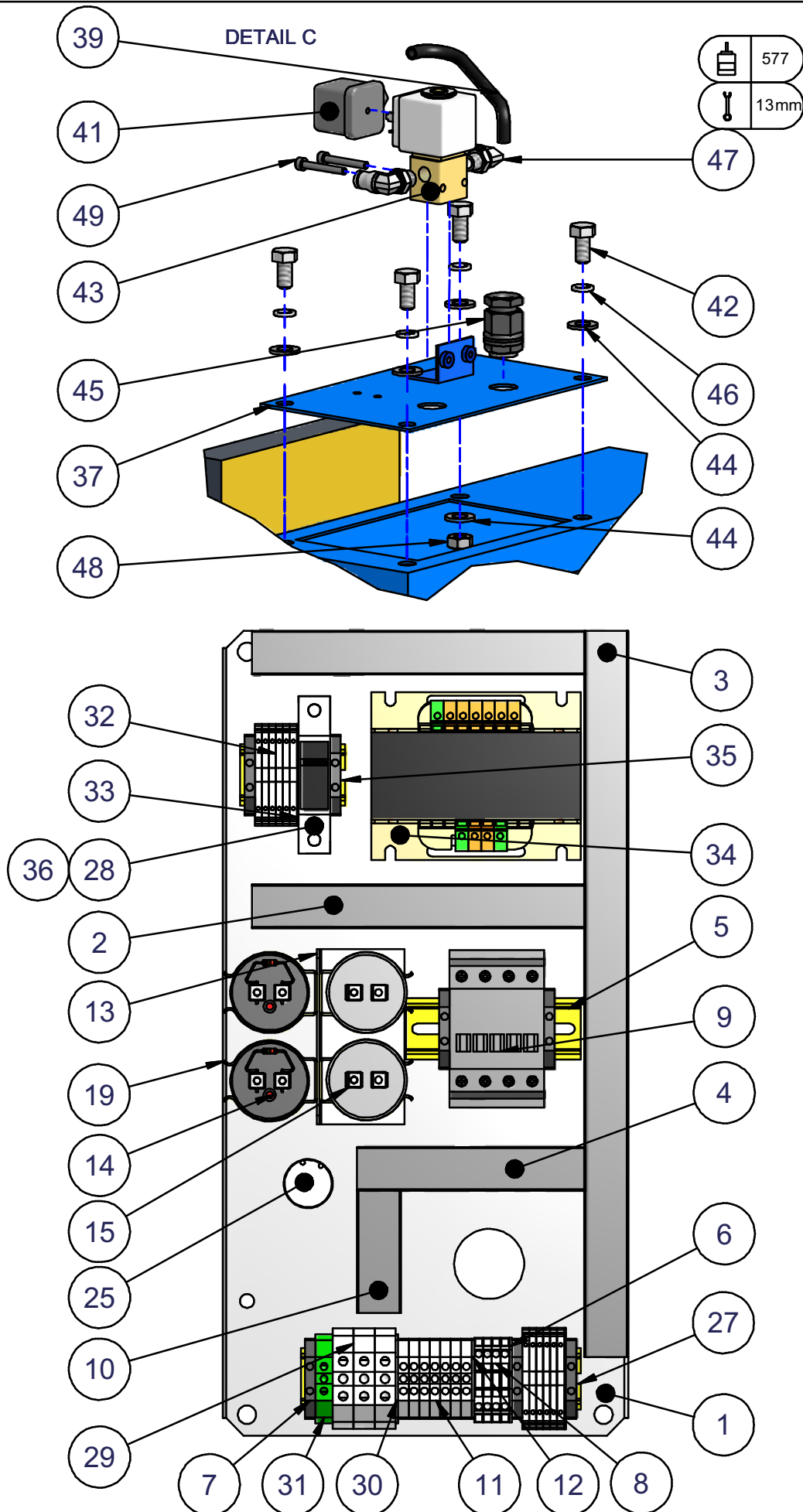




 <b>CompAir</b> COMPAIR UK LTD. REDDITCH	4.0/5.5KW 230V 60HZ 1PH DOL STARTER		
	PL22-V0407-ACE	Edition A	Sheet 1 / 2

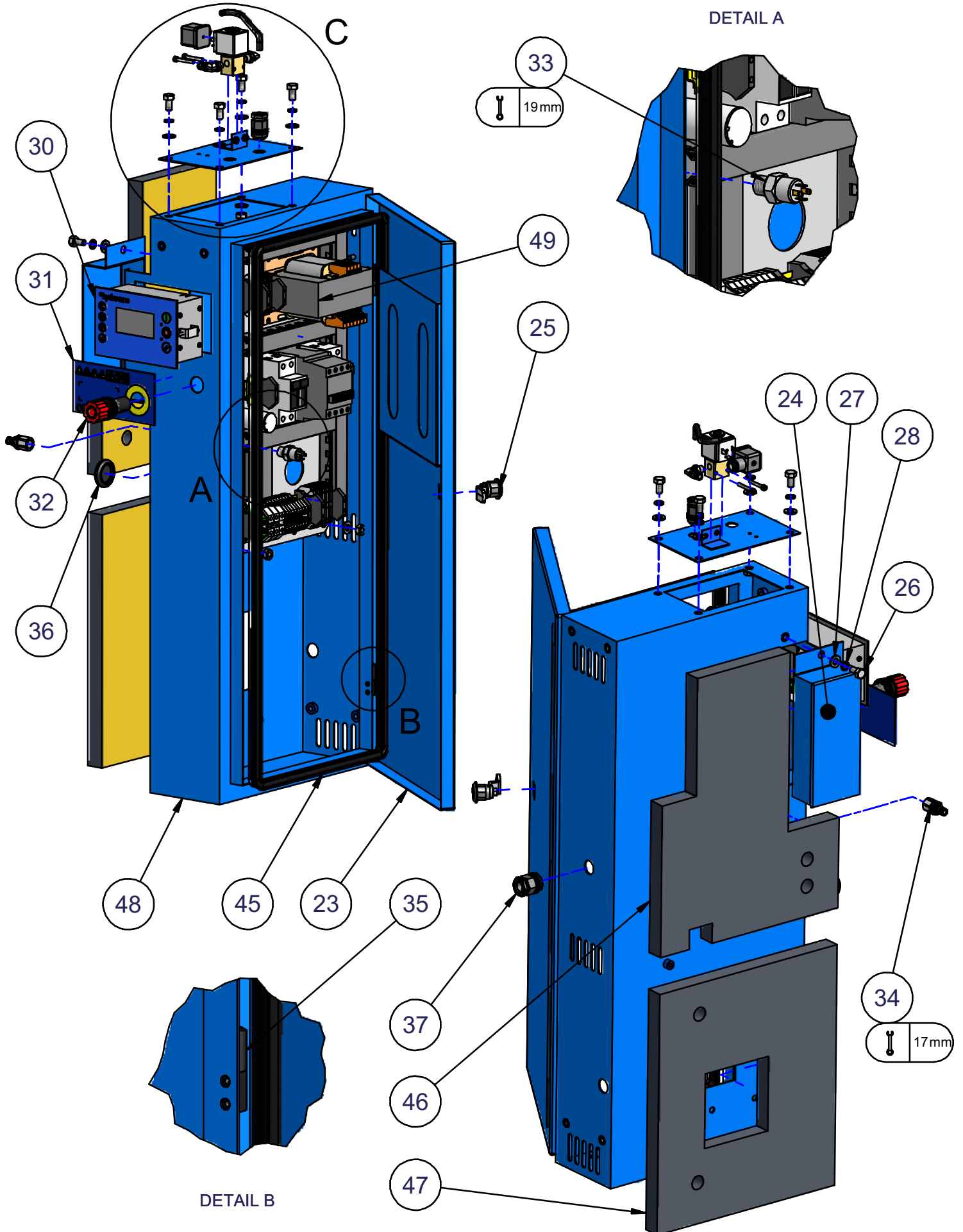
**PL22-V0407-ACE - 4.0/5.5KW 230V 60HZ 1PH DOL STARTER**

Item	Part Number	Description	Kit	Quantity				
				All	V04	V05	V07	RS
41	SOL_CAP	SOLENOID PLUG			1	1		
42	MS108-16	M8x16 HEX HEAD SCREW			5	5		
43	75821	SOLENOID VALVE (N.O)			1	1		
44	MW8	M8 WASHER			17	17		
45	72112	CABLE GLAND M16			1	1		
46	MWG8	M8 SPRING WASHER			5	5		
47	73215	ELBOW G1/8"	KSV DOL		2	2		
48	MN108	M8 NUT			12	12		
49	MS704-30	CAP HEAD M4X30 LONG			2	2		
50	76042	ELECTRONIC CONTROLLER			1	1		
51	77054	DOOR SEALING GASKET			1	1		
52	76064	STARTER LABEL			1	1		
53	75879	STARTER TOP FOAM			1	1		
54	76136	STARTER BOTTOM FOAM			1	1		



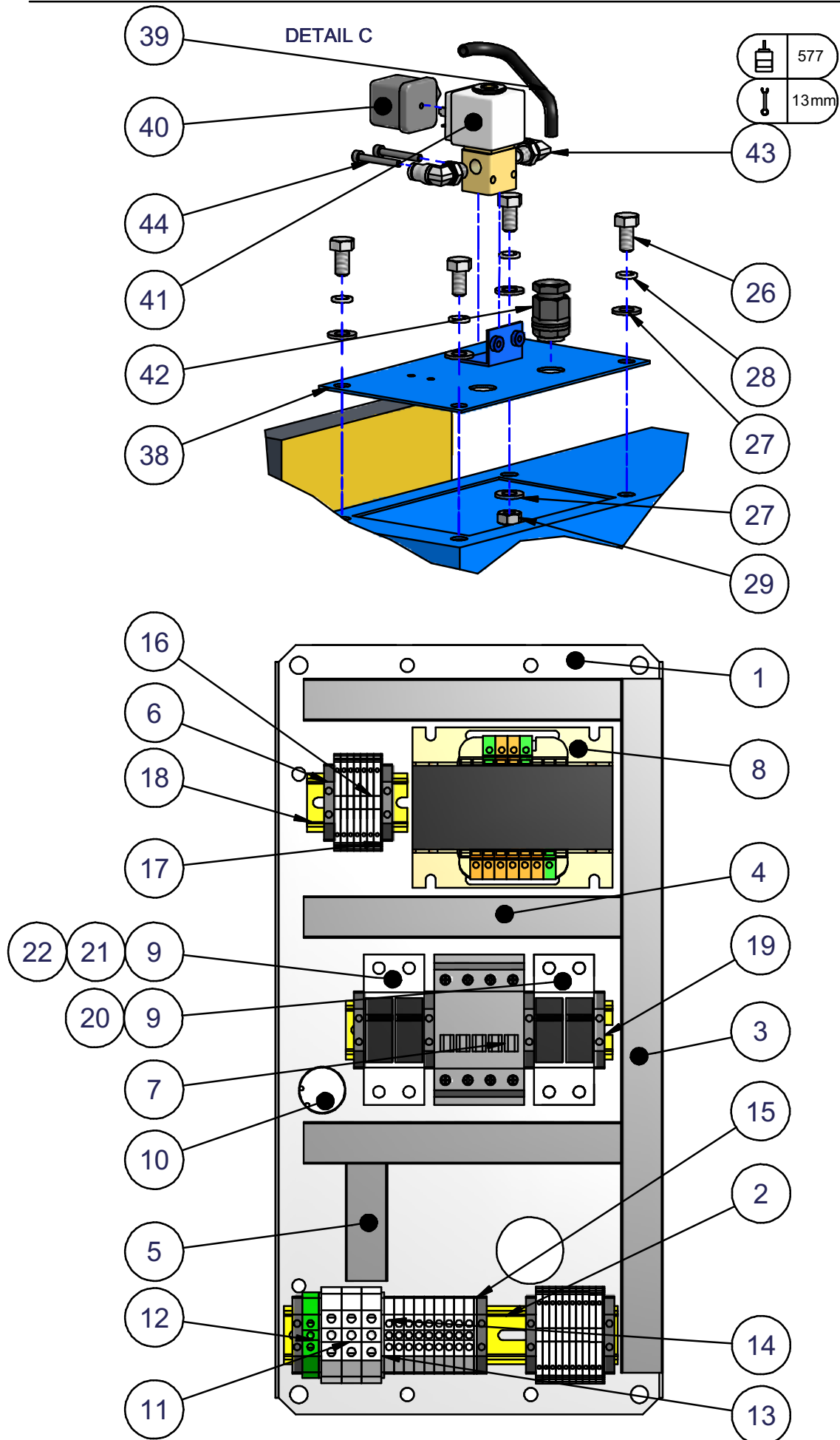
## PL23-V0407-ACE - 4.0/5.5/7.5KW 200/230/460/575V 60HZ 3PH STARTER

Item	Part Number	Description	Kit	Quantity				
				All	V04	V05	V07	RS
1	76360	CHASSIS PLATE			1	1	1	
2	DIN RAIL_ 200	DIN RAIL 200MM LG			1	1	1	
3	TRUNKING_ 415	25X40X415MM LG			1	1	1	
4	TRUNKING_ 190	25X40X190MM LG			3	3	3	
5	TRUNKING_ 70	25X40X70MM LG			1	1	1	
6	76156	TERMINAL END BLOCK			10	10	10	
7	76078	CONTACTOR 40A	KE457E1-60		1	1	1	
8	77070	TRANSFORMER 0/200/230/400/460/575V P196VAC 50VAC/100VAC SEC (UL)			1	1	1	
9	FUSE HOLDER2	FUSE HOLDER			2	2	2	
10	76072	CAPACITOR 4UF	KE457E1-60		1	1	1	
11	76191	10MM MAINS TERMINAL			3	3	3	
12	76192	10MM MAINS EARTH TERMINAL			1	1	1	
13	76194	10MM MAINS TERMINAL END SECTION			2	2	2	
14	76153	6MM MAINS TERMINAL			9	9	9	
15	76157	MAINS TERMINAL END SECTION			1	1	1	
16	77071	1.5MM CONTROL TERMINAL			17	17	17	
17	77073	1.5MM CONTROL TERMINAL END SECTION			2	2	2	
18	DIN RAIL 60	DIN RAIL 60MM LG			1	1	1	
19	DIN RAIL 160	DIN RAIL 160MM LG			1	1	1	
20	77056	2.0A 500VAC FUSE (UL/CSA)	KE457E1-60		2	2	2	
21	77111	3.0A 500VAC FUSE (FOR 200/230/460V)			2	2	2	
22	77114	3.0A 600VAC FUSE (FOR 575V)			2	2	2	
23	76371	ENCLOSURE DOOR ASSY			1	1	1	
24	76070	STARTER COVER			1	1	1	
25	75950	DOOR CATCH			1	1	1	
26	MS108-16	M8x16 HEX HEAD SCREW			5	5	5	
27	MW8	M8 WASHER			17	17	17	
28	MWG8	M8 SPRING WASHER			5	5	5	
29	MN108	M8 NUT			12	12	12	
30	76042	ELECTRONIC CONTROLLER			1	1	1	
31	76064	STARTER LABEL			1	1	1	
32	76161	EMERGENCY STOP	KE457E1-60		1	1	1	
33	76081	PRESSURE TRANSDUCER	KE457E1-60		1	1	1	
34	73245	LEGRIS BULKHEAD 6MM			1	1	1	
35	76372	HINGE			2	2	2	
36	76403	GROMMET			1	1	1	
37	59800	CABLE GLAND M20			1	1	1	
38	77051	SOLENOID VALVE BRACKET			1	1	1	
39	SOL CABLE 4	SOLENOID CABLE			1	1	1	
40	SOL_CAP	SOLENOID PLUG			1	1	1	
41	75821	SOLENOID VALVE (N.O)	KSVNR-60		1	1	1	



**PL23-V0407-ACE - 4.0/5.5/7.5KW 200/230/460/575V 60HZ 3PH STARTER**

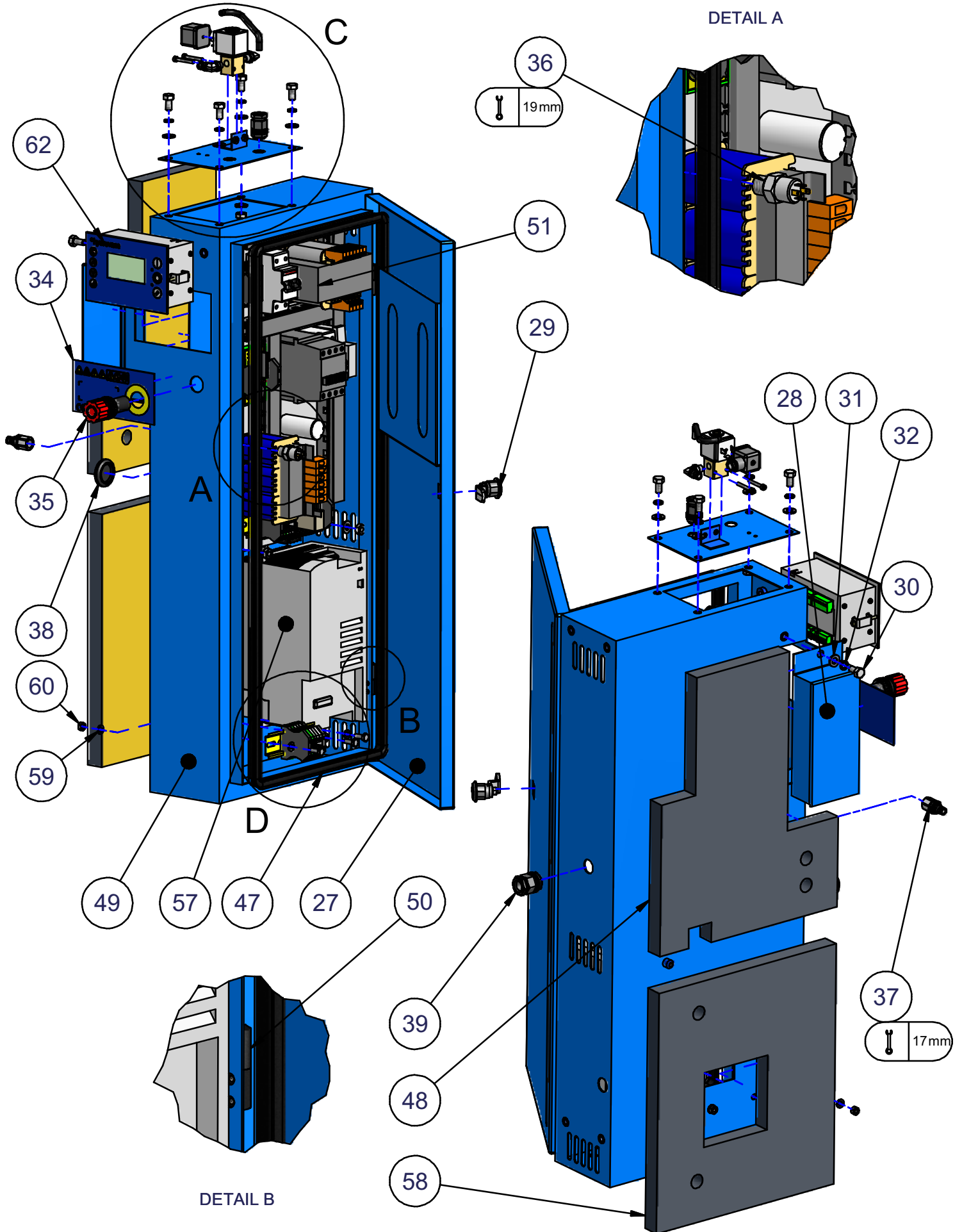
Item	Part Number	Description	Kit	Quantity				
				All	V04	V05	V07	RS
42	72112	CABLE GLAND M16			1	1	1	
43	73215	ELBOW G1/8"	KDVDOL		2	2	2	
44	MS704-30	CAP HEAD M4X30 LONG			2	2	2	
45	77054	DOOR SEALING GASKET			1	1	1	
46	75879	STARTER TOP FOAM			1	1	1	
47	76136	STARTER BOTTOM FOAM			1	1	1	
48	76370	STARTER ENCLOSURE			1	1	1	
49	34982	CHASSIS PLATE 4.0/5.5/7.5KW 200/230/460/575V 60HZ DOL			1	1	1	




## PL24-V0407-ACE - 7.5KW 400/460V 50/60HZ RS STARTER

Item	Part Number	Description	Kit	Quantity				
				All	V04	V05	V07	RS
1	76360	CHASSIS PLATE						1
2	TRUNKING_190	25X40X190MM LG						2
3	TRUNKING_415	25X40X415MM LG						1
4	DIN RAIL110	DIN RAIL 110MM LG						1
5	76156	TERMINAL END BLOCK						7
6	76158	CONTROL TERMINAL 2.5MM						4
7	76159	CONTROL TERMINAL END SECTION						1
8	75812	CONTACTOR 26A	KE457ERS & KC457ERS					1
9	TRUNKING_230	25X40X230MM LG						1
10	75292	POT / ALARM BOARD						1
11	DIN RAIL 60	DIN RAIL 60MM LG						1
12	75658	MAINS CHOKE						1
13	76305	RELAY BASE						1
14	76334	RELAY 240VAC						1
15	76173	CIRCUIT BREAKER AUX CONTACT	KE457ERS					1
16	76306	CLIP SET						1
17	76072	CAPACITOR 4UF	KE457ERS					1
18	DIN RAIL 160	DIN RAIL 160MM LG						1
19	77070	TRANSFORMER 0/200/230/400/460/575V P196VAC 50VAC/100VAC SEC (UL)						1
20	77071	1.5MM CONTROL TERMINAL						17
21	77073	1.5MM CONTROL TERMINAL END SECTION						2
22	77105	CIRCUIT BREAKER 400V 50/60HZ 2 POLE 3AMPS	KE457ERS					2
23	DIN RAIL 90	DIN RAIL 90MM LG						1
24	76160	6MM MAINS EARTH TERMINAL						1
25	76153	6MM MAINS TERMINAL						3
26	76157	MAINS TERMINAL END SECTION						2
27	76371	ENCLOSURE DOOR ASSY						1
28	76070	STARTER COVER						1
29	75950	DOOR CATCH						1
30	MS108-16	M8x16 HEX HEAD SCREW						5
31	MW8	M8 WASHER						17
32	MWG8	M8 SPRING WASHER						5
33	MN108	M8 NUT						12
34	76064	STARTER LABEL						1
35	76161	EMERGENCY STOP	KE457ERS					1
36	76081	PRESSURE TRANSDUCER	KE457ERS					1
37	73245	LEGRIS BULKHEAD 6MM						1
38	76403	GROMMET						1
39	59800	CABLE GLAND M20						1
40	77051	SOLENOID VALVE BRACKET						1

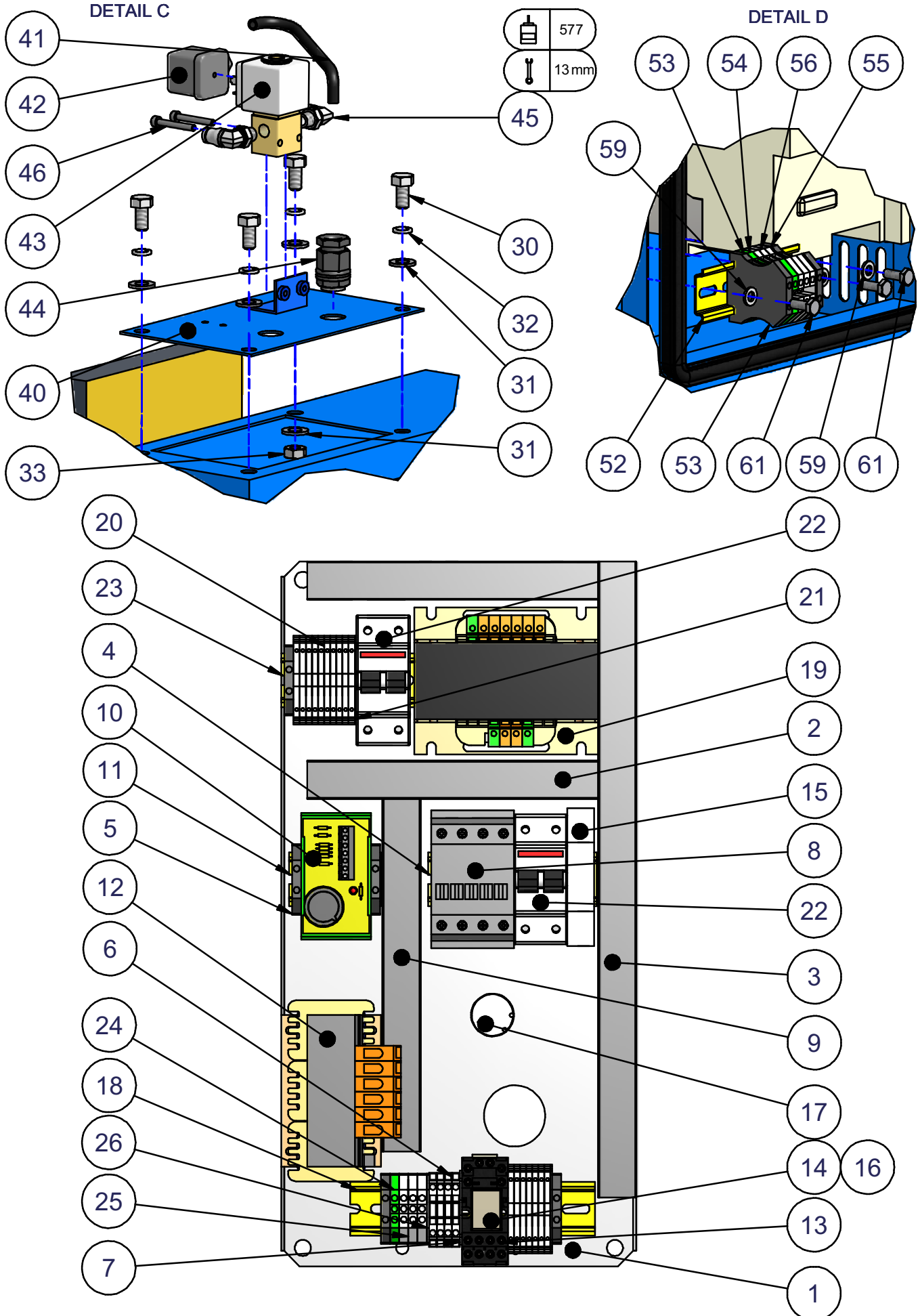




 <b>CompAir</b> COMPAIR UK LTD. REDDITCH	7.5KW 400/460V 50/60HZ 3PH RS STARTER		
	PL24-V0407-ACE	Edition A	Sheet 1 / 2

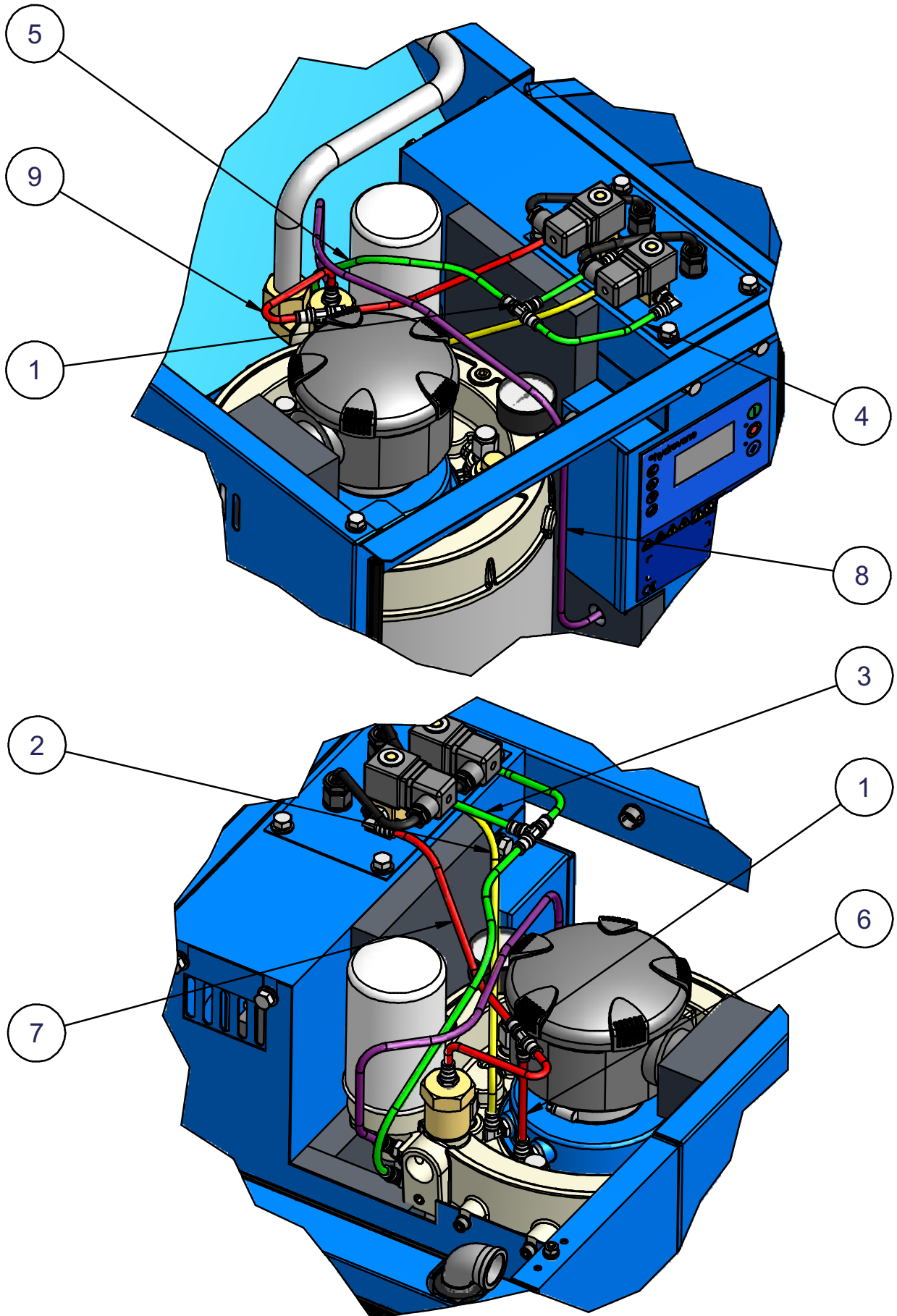
**PL24-V0407-ACE - 7.5KW 400/460V 50/60HZ RS STARTER**

Item	Part Number	Description	Kit	Quantity				
				All	V04	V05	V07	RS
41	SOL_PIPE 4	SOLENOID CABLE						1
42	SOL_CAP	SOLENOID PLUG						1
43	75821	SOLENOID VALVE (N.O)	KSDOL					1
44	72112	CABLE GLAND M16						1
45	73215	ELBOW G1/8"	KT457E					2
46	MS704-30	CAP HEAD M4X30 LONG						2
47	77054	DOOR SEALING GASKET						1
48	75879	STARTER TOP FOAM						1
49	76370	STARTER ENCLOSURE						1
50	76372	HINGE						2
51	34990	CHASSIS PLATE 7.5KW 400/460V 50/60HZ RS						1
52	DIN RAIL6	DIN RAIL 100MM LG						1
53	76156	TERMINAL END BLOCK						2
54	76155	4MM MAINS EARTH TERMINAL						1
55	76157	MAINS TERMINAL END SECTION						1
56	76154	4MM MAINS TERMINAL						3
57	76401	LENZE INVERTER						1
58	76136	STARTER BOTTOM FOAM						1
59	MW6	M6 WASHER						6
60	MN106	HEX NUT-M6						2
61	MS106-16	M6X16 HEX HD SET SCREW						4
62	76043	ELECTRONIC CONTROLLER						1




**PL25-V0407-ACE - SOLENOID LAYOUT (STAR-DELTA)**

Item	Part Number	Description	Kit	Quantity				
				All	V04	V05	V07	RS
1	73282	PUSH IN TEE 6MM	KT457E		2	2	2	
2	ST214671-1	TUBE 6MM NYLON	KSVSD		1	1	1	
3	ST214671-2	TUBE 6MM NYLON	KSVSD		1	1	1	
4	ST214671-3	TUBE 6MM NYLON	KSVSD		1	1	1	
5	ST214671-4	TUBE 6MM NYLON	KSVSD		1	1	1	
6	ST214671-5	TUBE 6MM NYLON	KSVSD		1	1	1	
7	ST214671-6	TUBE 6MM NYLON	KSVSD		1	1	1	
8	ST214671-7	TUBE 6MM NYLON	KSVSD		1	1	1	
9	ST214671-8	TUBE 6MM NYLON	KSVSD		1	1	1	

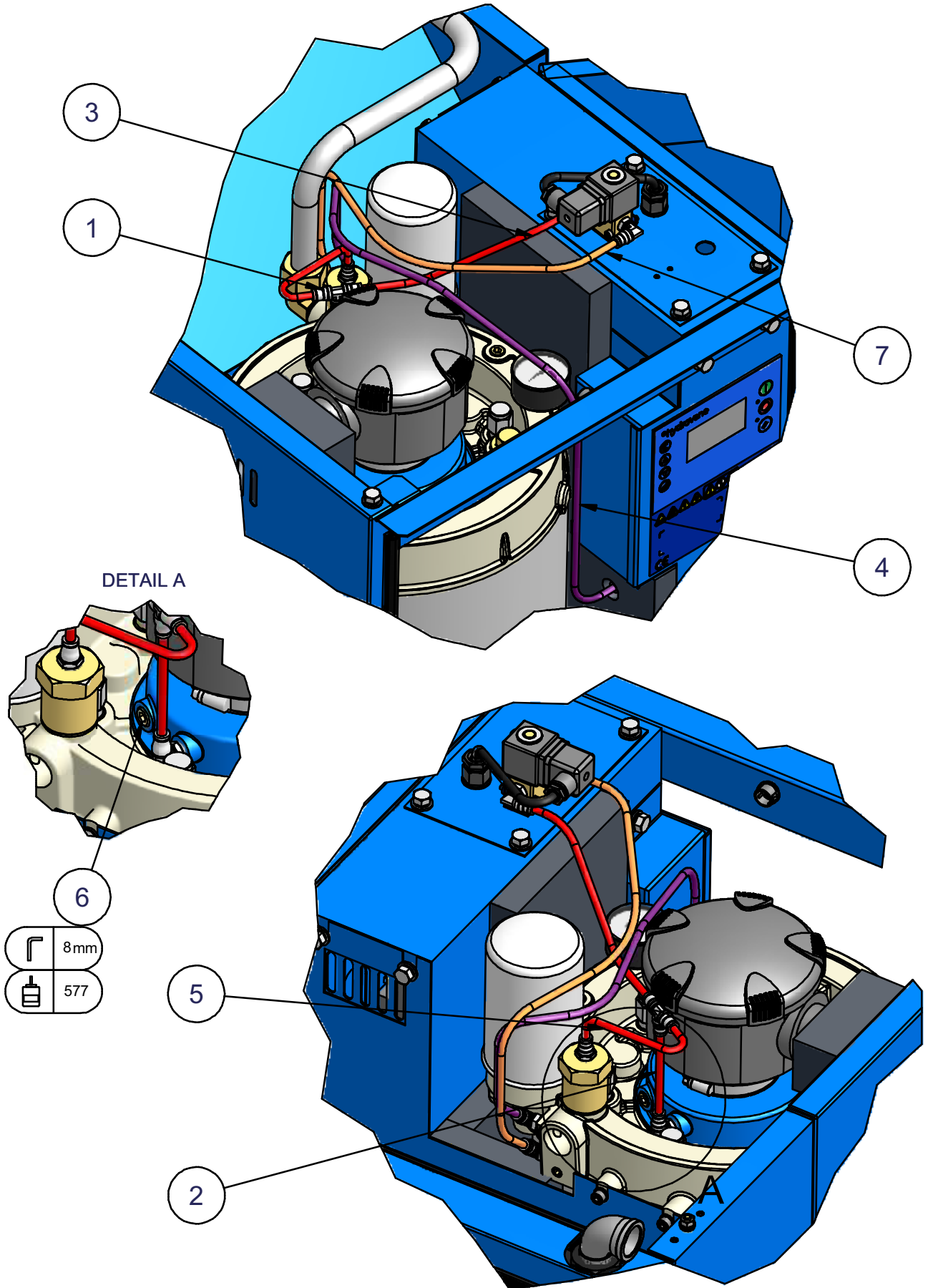


PIPING LAYOUT FOR STAR-DELTA CONFIGURATION ONLY


 <b>CompAir</b> COMPAIR UK LTD. REDDITCH	SOLENOID LAYOUT (STAR-DELTA)		
	PL25-V0407-ACE	Edition A	Sheet 1 / 1

**PL26-V0407-ACE - SOLENOID LAYOUT (DOL & 1PH & RS)**

Item	Part Number	Description	Kit	Quantity				
				All	V04	V05	V07	RS
1	73282	PUSH IN TEE 6MM	KT457E		1	1	1	1
2	ST214671-5	TUBE 6MM NYLON	KDVDOL		1	1	1	1
3	ST214671-6	TUBE 6MM NYLON	KDVDOL		1	1	1	1
4	ST214671-7	TUBE 6MM NYLON	KDVDOL		1	1	1	1
5	ST214671-8	TUBE 6MM NYLON	KDVDOL		1	1	1	1
6	59425-02	PLUG G1/4"			1	1	1	1
7	ST214671-9	PIPE 6MM NYLON	KDVDOL		1	1	1	1



PIPING LAYOUT FOR DOL & 1PH & RS CONFIGURATIONS ONLY

 <b>CompAir</b> COMPAIR UK LTD. REDDITCH	SOLENOID LAYOUT (DOL & 1PH & RS)		
	PL26-V0407-ACE	Edition A	Sheet 1 / 1

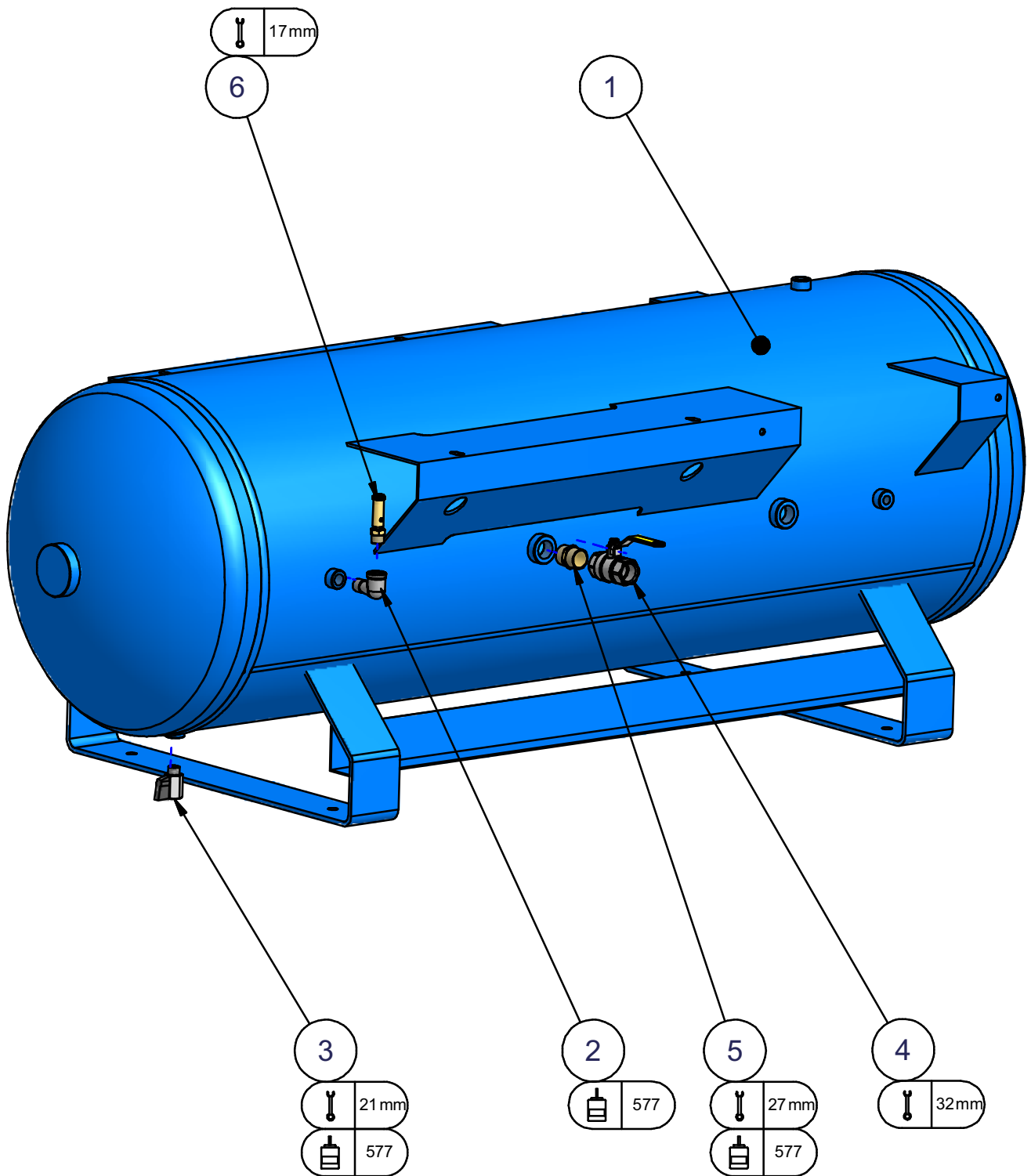




# HYPAC RANGE OF COMPRESSORS

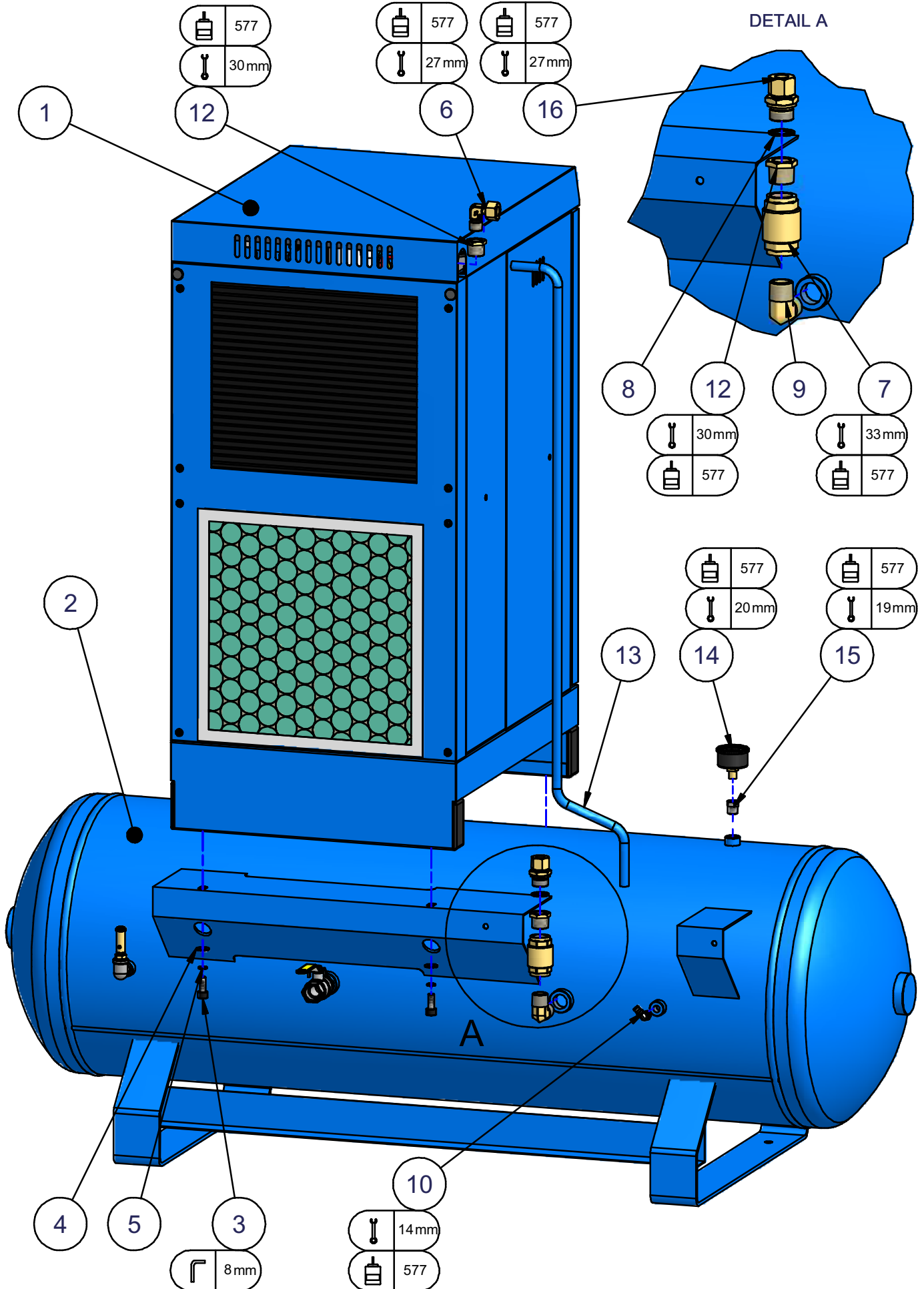
**PL27-V0407-ACE - RECEIVER ASSEMBLY**

Item	Part Number	Description	Kit	Quantity				
				All	V04	V05	V07	RS
1	76058	RECEIVER 250LT			1	1	1	1
2	72122	EQUAL ELBOW R3/8"			1	1	1	1
3	56633	DRAIN TAP			1	1	1	1
4	PE368	VALVE TAP 3/4" BSP			1	1	1	1
5	74649	EQUAL NIPPLE R3/4"			1	1	1	1
6	57125	SAFETY VALVE			1	1	1	1



**PL28-V0407-ACE - V04/05/07 ACER ASSEMBLY**

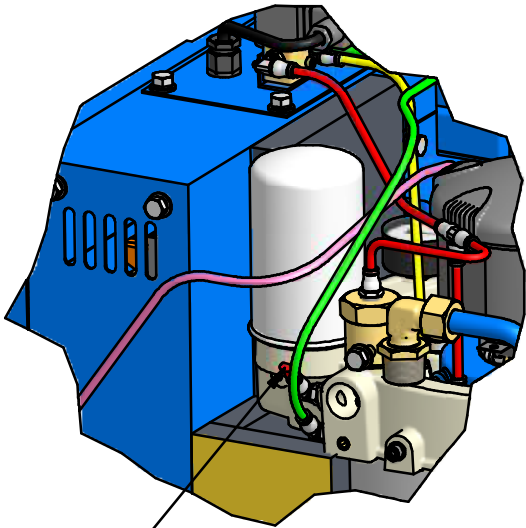
Kit	Part Number	Description	Kit	Quantity				
				All	V04	V05	V07	RS
1	PL19-V0407-ACE*	PANEL ASSEMBLY			1	1	1	1
2	PL16-V0407-ACE*	RECEIVER ASSEMBLY			1	1	1	1
3	MS710-25	M10x25 SKT HD CAP SCREW			4	4	4	4
4	MW10	M10 WASHER			4	4	4	4
5	MWG10	M10 SPRING WASHER			4	4	4	4
6	71129	ELBOW R1/2" TO 15MM			1	1	1	1
7	74407	NON RETURN VALVE			1	1	1	1
8	9616	BONDED SEAL G1/2"			1	1	1	1
9	76063	EQUAL ELBOW R3/4"			1	1	1	1
10	73283	LEGRIS ELBOW R1/4"			1	1	1	1
11	77236	BLANKING PLUG 6MM			1	1	1	1
12	74635	REDUCER R3/4"-R1/2"			2	2	2	2
13	76061	PIPE COOLER-NRV			1	1	1	1
14	34404	PRESSURE GAUGE			1	1	1	1
15	59870	REDUCER R3/8" - RP1/4"			1	1	1	1
16	76032	STUD COUPLING G3/4"-15MM			1	1	1	1
17	ST214671	TUBE 6MM NYLON			1	1	1	1



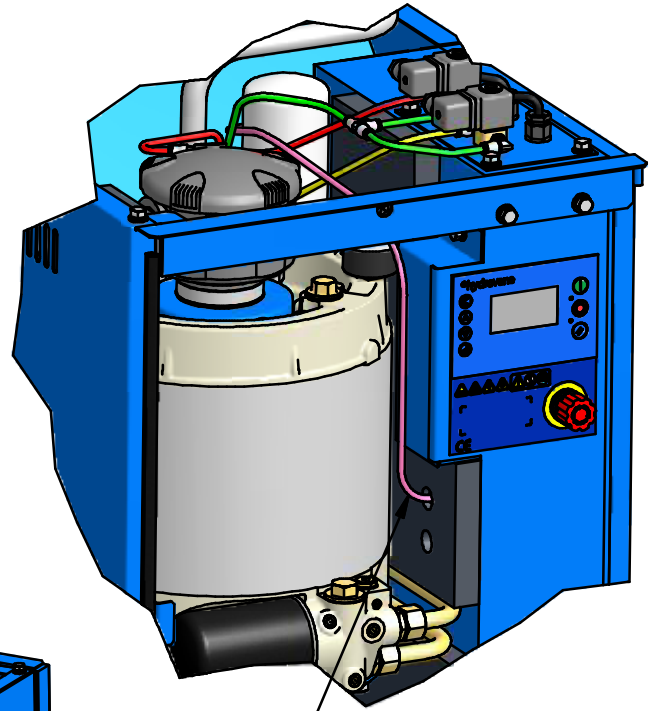
**PL28-V0407-ACE - V04/05/07 ACER ASSEMBLY**

Kit	Part Number	Description	Kit	Quantity				
				All	V04	V05	V07	RS
1	PL19-V0407-ACE*	PANEL ASSEMBLY			1	1	1	1
2	PL16-V0407-ACE*	RECEIVER ASSEMBLY			1	1	1	1
3	MS710-25	M10x25 SKT HD CAP SCREW			4	4	4	4
4	MW10	M10 WASHER			4	4	4	4
5	MWG10	M10 SPRING WASHER			4	4	4	4
6	71129	ELBOW R1/2" TO 15MM			1	1	1	1
7	74407	NON RETURN VALVE			1	1	1	1
8	9616	BONDED SEAL G1/2"			1	1	1	1
9	76063	EQUAL ELBOW R3/4"			1	1	1	1
10	73283	LEGRIS ELBOW R1/4"			1	1	1	1
11	77236	BLANKING PLUG 6MM			1	1	1	1
12	74635	REDUCER R3/4"-R1/2"			2	2	2	2
13	76061	PIPE COOLER-NRV			1	1	1	1
14	34404	PRESSURE GAUGE			1	1	1	1
15	59870	REDUCER R3/8" - RP1/4"			1	1	1	1
16	76032	STUD COUPLING G3/4"-15MM			1	1	1	1
17	ST214671	TUBE 6MM NYLON			1	1	1	1

DETAIL C

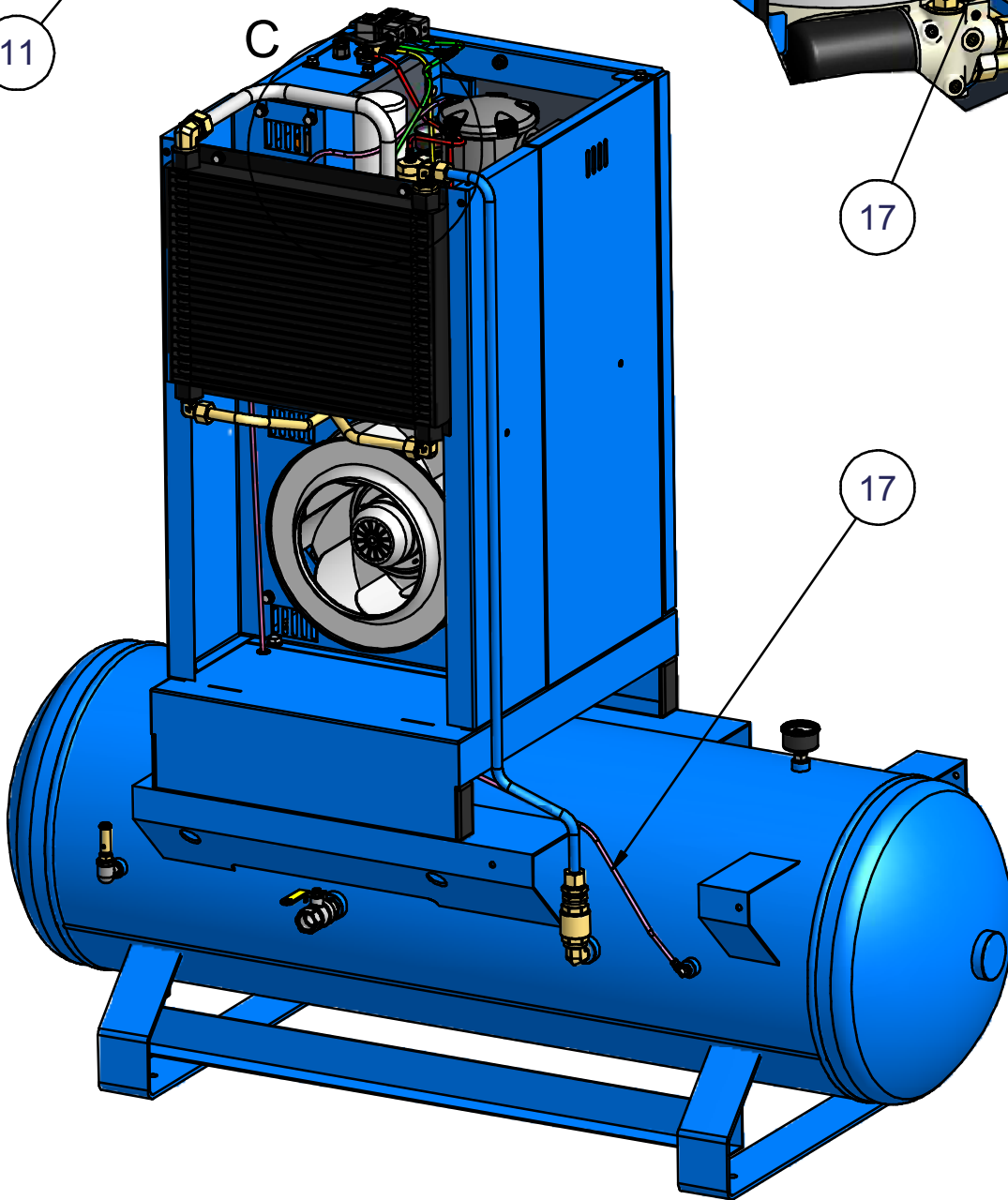


11



17

C

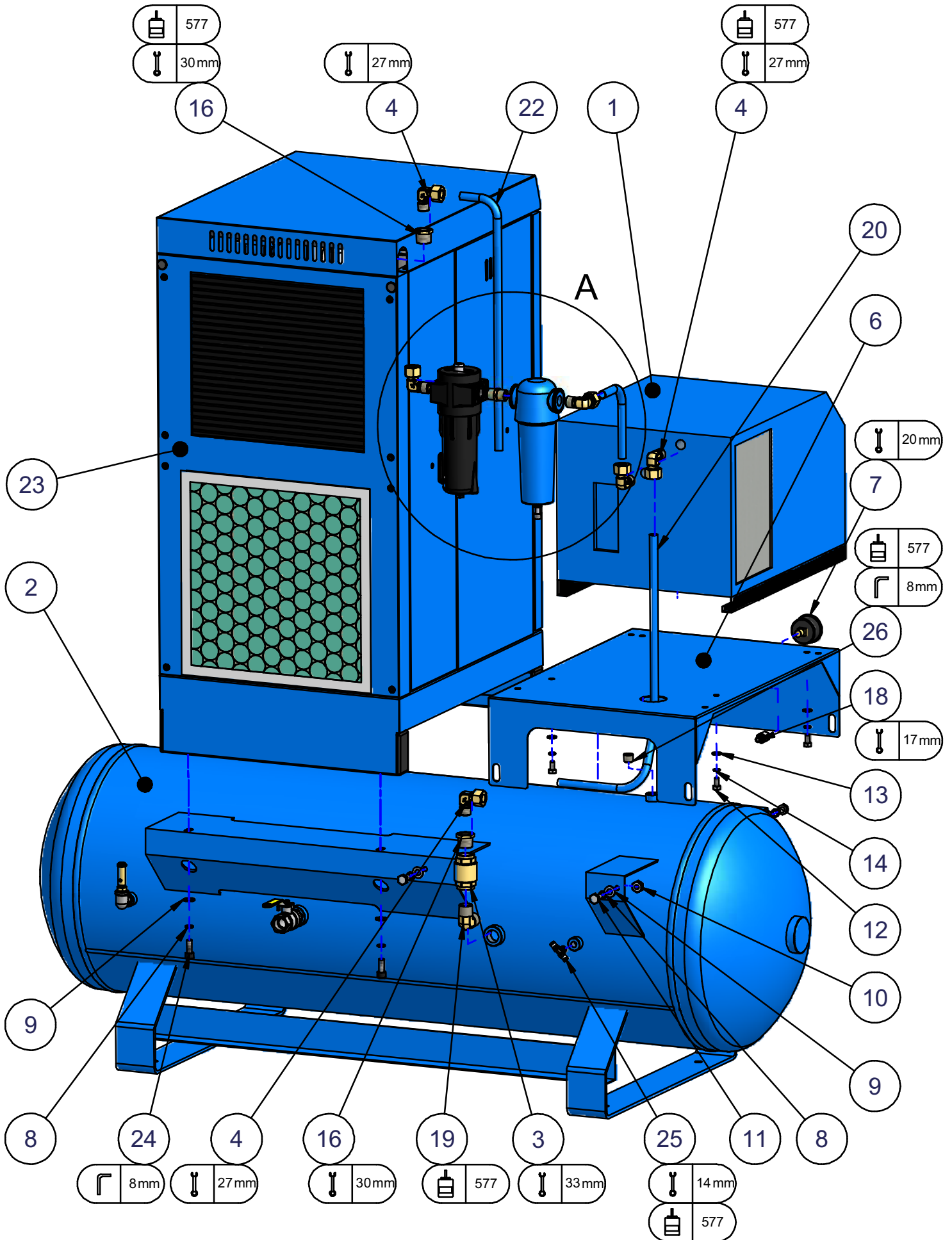


17

## PL29-V0407-ACE - V04 AERD ASSEMBLY

Item	Part Number	Description	Kit	Quantity				
				All	V04	V05	V07	RS
1	76383	DRYER 732L/M 50HZ 230V			1			
2	PL16-V0407-ACE*	RECEIVER ASSEMBLY			1			
3	74407	NON RETURN VALVE			1			
4	71129	ELBOW R1/2"-15MM			6			
5	A51114874	PARTICLE FILTER			1			
6	76393	DRYER BRACKET			1			
7	34404	PRESSURE GAUGE			1			
8	MWG10	M10 SPRING WASHER			8			
9	MW10	M10 WASHER			8			
10	MN110	M10 HEX NUT			4			
11	MS110-20	M10x20 HEX HEAD SCREW			4			
12	MS108-16	M8x16 HEX HEAD SCREW			4			
13	MW8	M8 WASHER			4			
14	MWG8	M8 SPRING WASHER			4			
15	100004304	WATER SEPARATOR			1			
16	74635	REDUCER R3/4"-R1/2"			2			
17	76139	EQUAL PIPE NIPPLE 1/2" BSPT			1			
18	73213	PUSH IN STUD G1/4"-6MM			1			
19	76063	EQUAL ELBOW R3/4"			1			
20	77243	PIPE DRYER-NRV			1			
21	77242	PIPE FILTER-DRYER			1			
22	77241	PIPE COOLER-FILTER			1			
23	PL19-V0407-ACE*	PANEL ASSEMBLY			1			
24	MS710-25	M10x25 SKT HD CAP SCREW			4			
25	73450	PUSH IN TEE R1/4"-6MM			1			
26	59425-03	PLUG R3/8"			1			
27	ST214671	TUBE 6MM NYLON			2			
28	77236	BLANKING PLUG			1			
29	A51129374	FILTER ELEMENT	KH457		1			

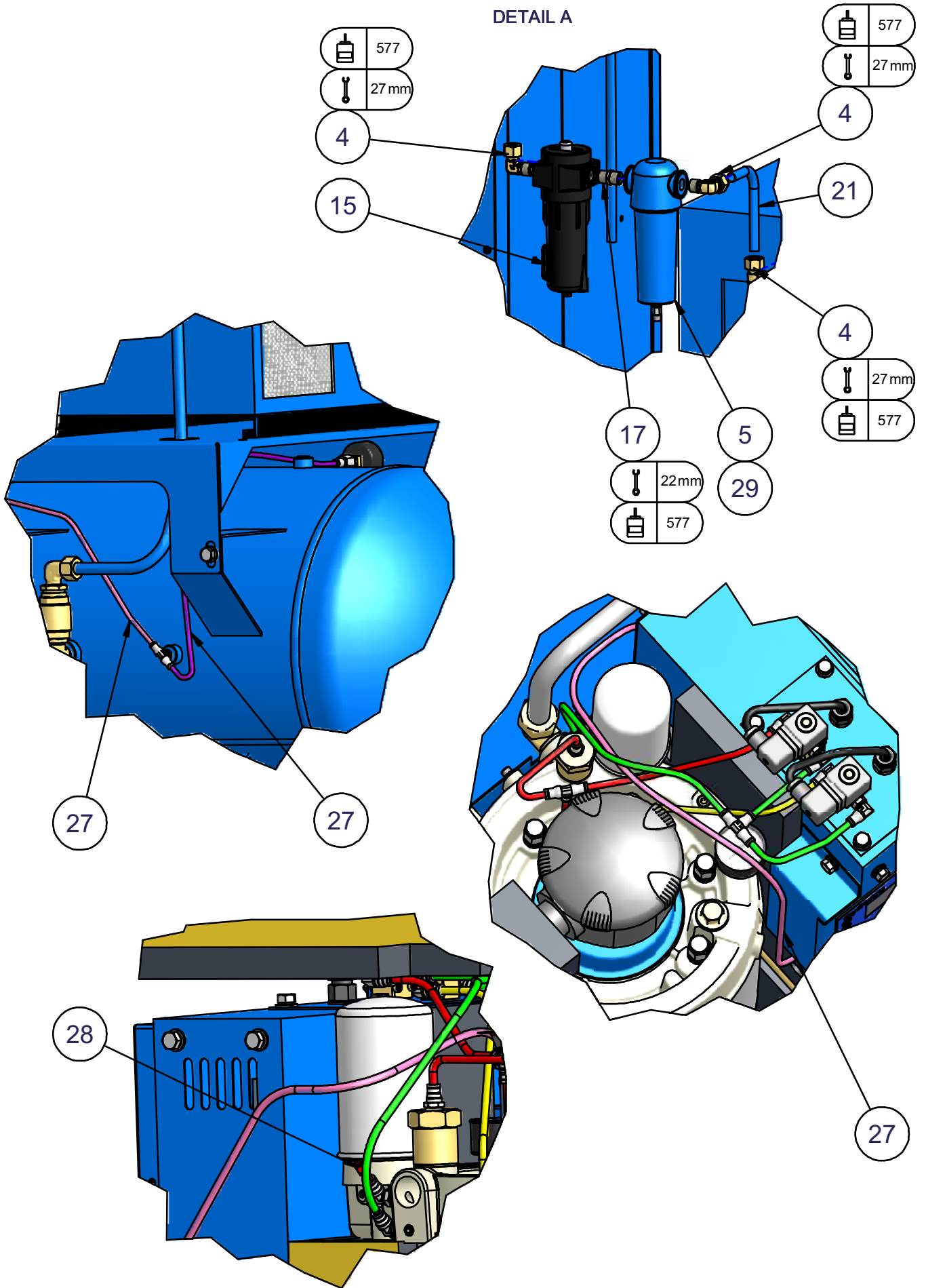




## PL29-V0407-ACE - V04 AERD ASSEMBLY

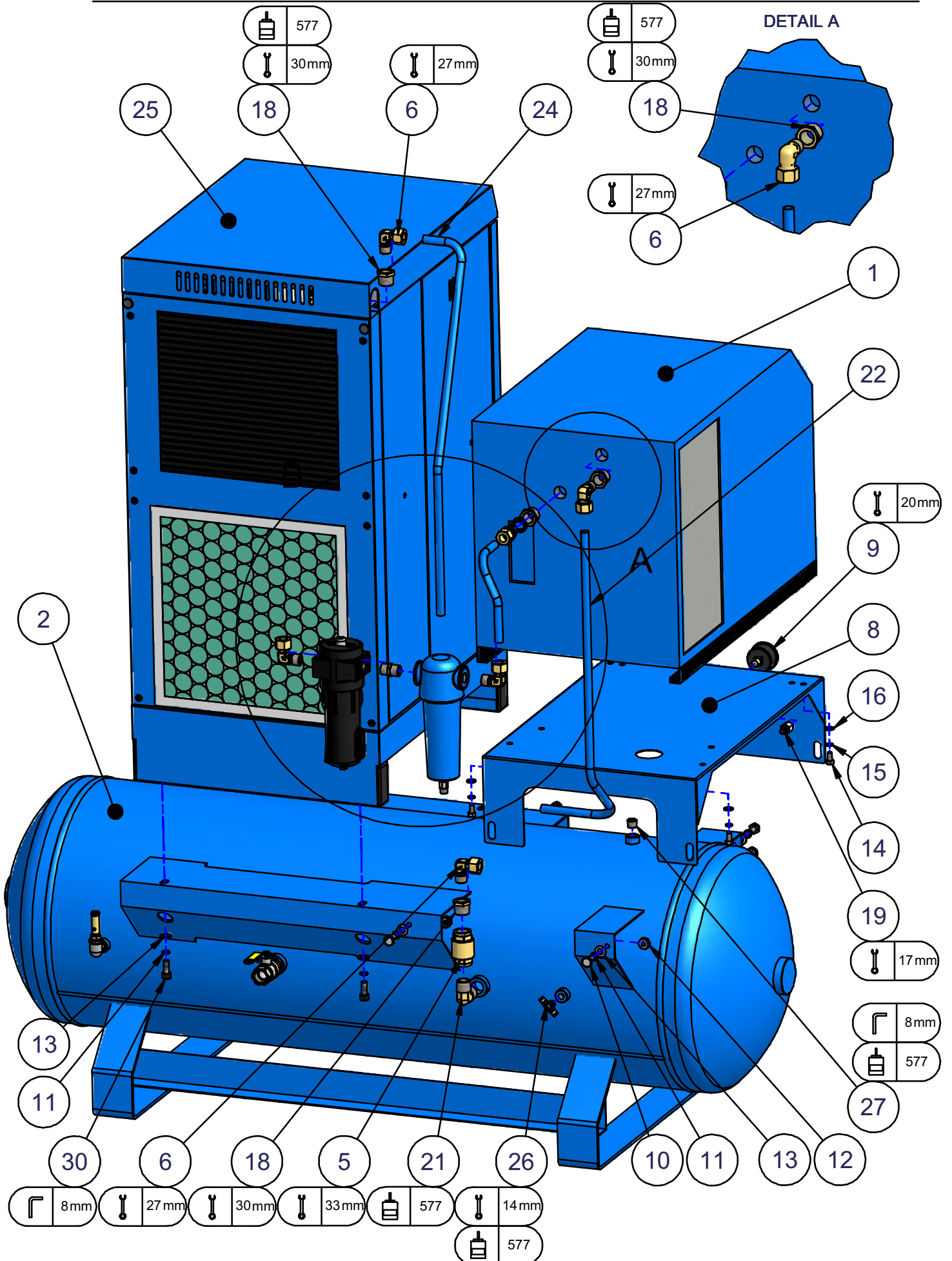
Item	Part Number	Description	Kit	Quantity				
				All	V04	V05	V07	RS
1	76383	DRYER 732L/M 50HZ 230V			1			
2	PL16-V0407-ACE*	RECEIVER ASSEMBLY			1			
3	74407	NON RETURN VALVE			1			
4	71129	ELBOW R1/2"-15MM			6			
5	A51114874	PARTICLE FILTER			1			
6	76393	DRYER BRACKET			1			
7	34404	PRESSURE GAUGE			1			
8	MWG10	M10 SPRING WASHER			8			
9	MW10	M10 WASHER			8			
10	MN110	M10 HEX NUT			4			
11	MS110-20	M10x20 HEX HEAD SCREW			4			
12	MS108-16	M8x16 HEX HEAD SCREW			4			
13	MW8	M8 WASHER			4			
14	MWG8	M8 SPRING WASHER			4			
15	100004304	WATER SEPARATOR			1			
16	74635	REDUCER R3/4"-R1/2"			2			
17	76139	EQUAL PIPE NIPPLE 1/2" BSPT			1			
18	73213	PUSH IN STUD G1/4"-6MM			1			
19	76063	EQUAL ELBOW R3/4"			1			
20	77243	PIPE DRYER-NRV			1			
21	77242	PIPE FILTER-DRYER			1			
22	77241	PIPE COOLER-FILTER			1			
23	PL19-V0407-ACE*	PANEL ASSEMBLY			1			
24	MS710-25	M10x25 SKT HD CAP SCREW			4			
25	73450	PUSH IN TEE R1/4"-6MM			1			
26	59425-03	PLUG R3/8"			1			
27	ST214671	TUBE 6MM NYLON			2			
28	77236	BLANKING PLUG			1			
29	A51129374	FILTER ELEMENT	KH457		1			

DETAIL A



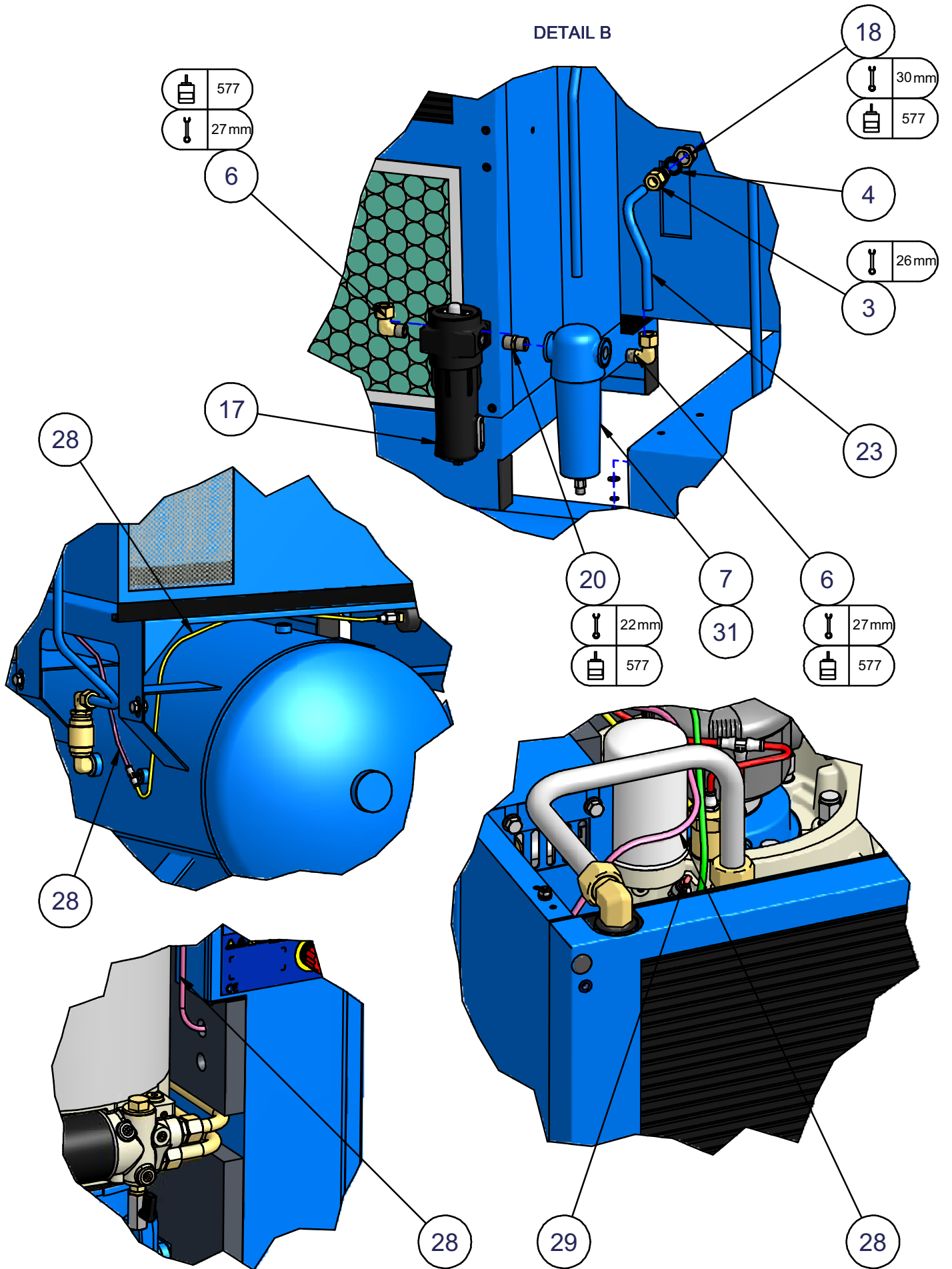
## PL30-V0407-ACE - V05/07 AERD ASSEMBLY

Item	Part Number	Description	Kit	Quantity				
				All	V04	V05	V07	RS
1	76385	DRYER 1620L/M 50HZ 230V				1	1	1
2	PL16-V0407-ACE*	RECEIVER ASSEMBLY				1	1	1
3	53549	STUD COUPLING 1/2"BSP-15MM				1	1	1
4	9616	BONDED SEAL G1/2"				1	1	1
5	74407	NON RETURN VALVE				1	1	1
6	71129	ELBOW R1/2"-15MM				5	5	5
7	A51114874	PARTICLE FILTER				1	1	1
8	76393	DRYER BRACKET				1	1	1
9	34404	PRESSURE GAUGE				1	1	1
10	MS110-20	M10x20 HEX HEAD SCREW				4	4	4
11	MWG10	M10 SPRING WASHER				8	8	8
12	MN110	M10 HEX NUT				4	4	4
13	MW10	M10 WASHER				8	8	8
14	MS108-16	M8x16 HEX HEAD SCREW				4	4	4
15	MWG8	M8 SPRING WASHER				4	4	4
16	MW8	M8 WASHER				4	4	4
17	100004304	WATER SEPARATOR				1	1	1
18	74635	REDUCER R3/4"-R1/2"				4	4	4
19	73213	PUSH IN STUD G1/4"-6MM				1	1	1
20	76139	EQUAL PIPE NIPPLE 1/2" BSPT				1	1	1
21	76063	EQUAL ELBOW R3/4"				1	1	1
22	77246	PIPE DRYER-NRV				1	1	1
23	77245	PIPE FILTER-DRYER				1	1	1
24	77244	PIPE COOLER-FILTER				1	1	1
25	PL19-V0407-ACE*	PANEL ASSEMBLY				1	1	1
26	73450	PUSH IN TEE R1/4"-6MM				1	1	1
27	59425-03	PLUG R3/8"				1	1	1
28	ST214671	TUBE 6MM NYLON				2	2	2
29	77236	BLANKING PLUG 6MM				1	1	1
30	MS710-25	M10x25 SKT HD CAP SCREW				4	4	4
31	A51129374	FILTER ELEMENT	KH457			1	1	1



## PL30-V0407-ACE - V05/07 AERD ASSEMBLY

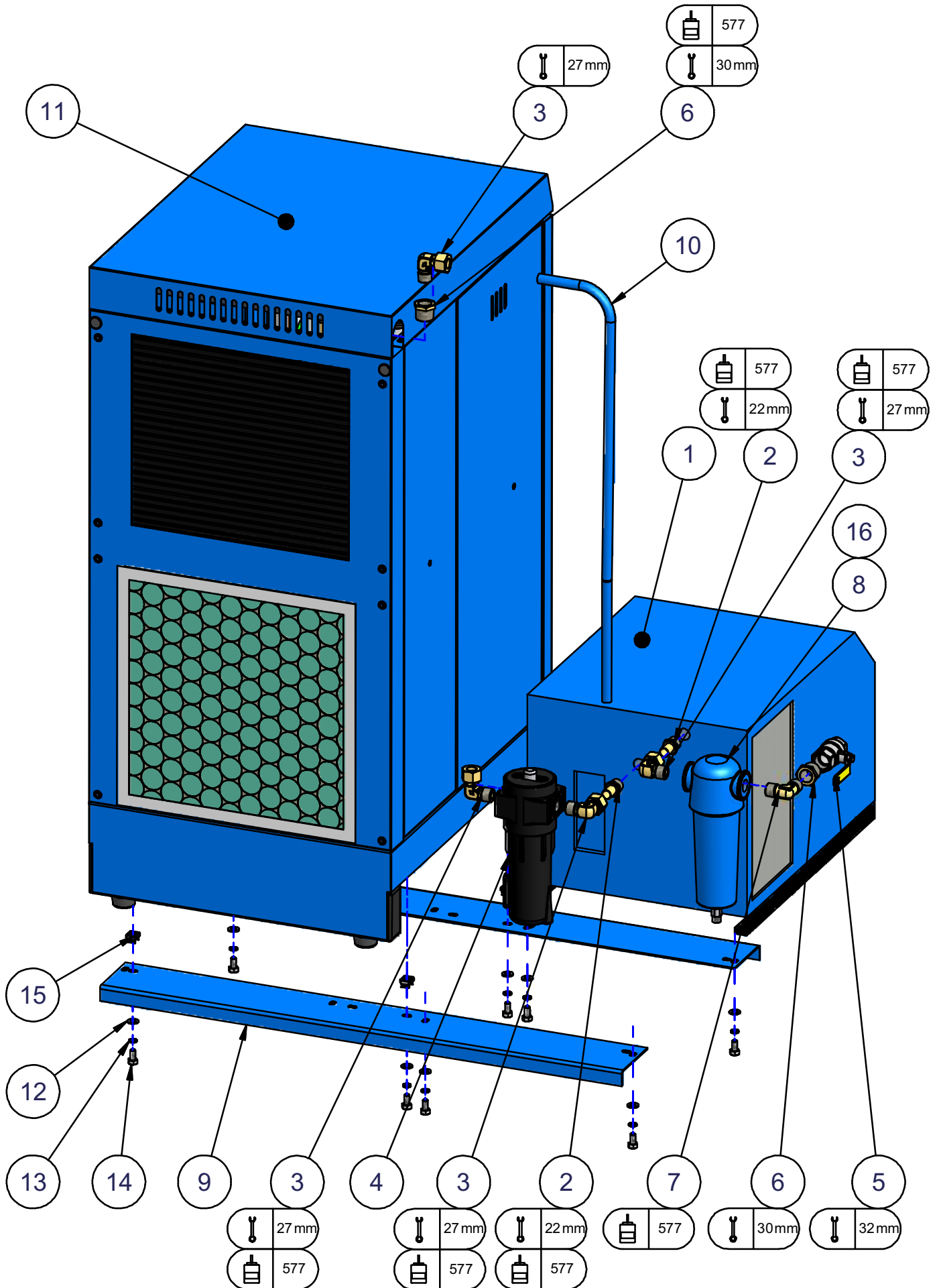
Item	Part Number	Description	Kit	Quantity				
				All	V04	V05	V07	RS
1	76385	DRYER 1620L/M 50HZ 230V				1	1	1
2	PL16-V0407-ACE*	RECEIVER ASSEMBLY				1	1	1
3	53549	STUD COUPLING 1/2"BSP-15MM				1	1	1
4	9616	BONDED SEAL G1/2"				1	1	1
5	74407	NON RETURN VALVE				1	1	1
6	71129	ELBOW R1/2"-15MM				5	5	5
7	A51114874	PARTICLE FILTER				1	1	1
8	76393	DRYER BRACKET				1	1	1
9	34404	PRESSURE GAUGE				1	1	1
10	MS110-20	M10x20 HEX HEAD SCREW				4	4	4
11	MWG10	M10 SPRING WASHER				8	8	8
12	MN110	M10 HEX NUT				4	4	4
13	MW10	M10 WASHER				8	8	8
14	MS108-16	M8x16 HEX HEAD SCREW				4	4	4
15	MWG8	M8 SPRING WASHER				4	4	4
16	MW8	M8 WASHER				4	4	4
17	100004304	WATER SEPARATOR				1	1	1
18	74635	REDUCER R3/4"-R1/2"				4	4	4
19	73213	PUSH IN STUD G1/4"-6MM				1	1	1
20	76139	EQUAL PIPE NIPPLE 1/2" BSPT				1	1	1
21	76063	EQUAL ELBOW R3/4"				1	1	1
22	77246	PIPE DRYER-NRV				1	1	1
23	77245	PIPE FILTER-DRYER				1	1	1
24	77244	PIPE COOLER-FILTER				1	1	1
25	PL19-V0407-ACE*	PANEL ASSEMBLY				1	1	1
26	73450	PUSH IN TEE R1/4"-6MM				1	1	1
27	59425-03	PLUG R3/8"				1	1	1
28	ST214671	TUBE 6MM NYLON				2	2	2
29	77236	BLANKING PLUG 6MM				1	1	1
30	MS710-25	M10x25 SKT HD CAP SCREW				4	4	4
31	A51129374	FILTER ELEMENT	KH457			1	1	1




**PL31-V0407-ACE - V04 ACED ASSEMBLY**

Item	Part Number	Description	Kit	Quantity				
				All	V04	V05	V07	RS
1	76383	DRYER 732L/M 50HZ 230V			1			
2	76392	STEM ADAPTOR 1/2"-15MM			2			
3	71129	ELBOW R1/2"-15MM			4			
4	100004304	WATER SEPARATOR			1			
5	PE368	VALVE TAP 3/4" BSP			1			
6	74635	REDUCER R3/4"-R1/2"			2			
7	74153	EQUAL ELBOW R1/2"			1			
8	A51114874	PARTICLE FILTER			1			
9	77237	DRYER BRACKET			2			
10	77239	PIPE COOLER-FILTER			1			
11	PL19-V0407-ACE*	PANEL ASSEMBLY			1			
12	MW8	M8 WASHER			8			
13	MWG8	M8 SPRING WASHER			8			
14	MS108-16	M8x16 HEX HEAD SCREW			8			
15	72703	M8 CAGE NUT			4			
16	A51129374	FILTER ELEMENT	KH457		1			

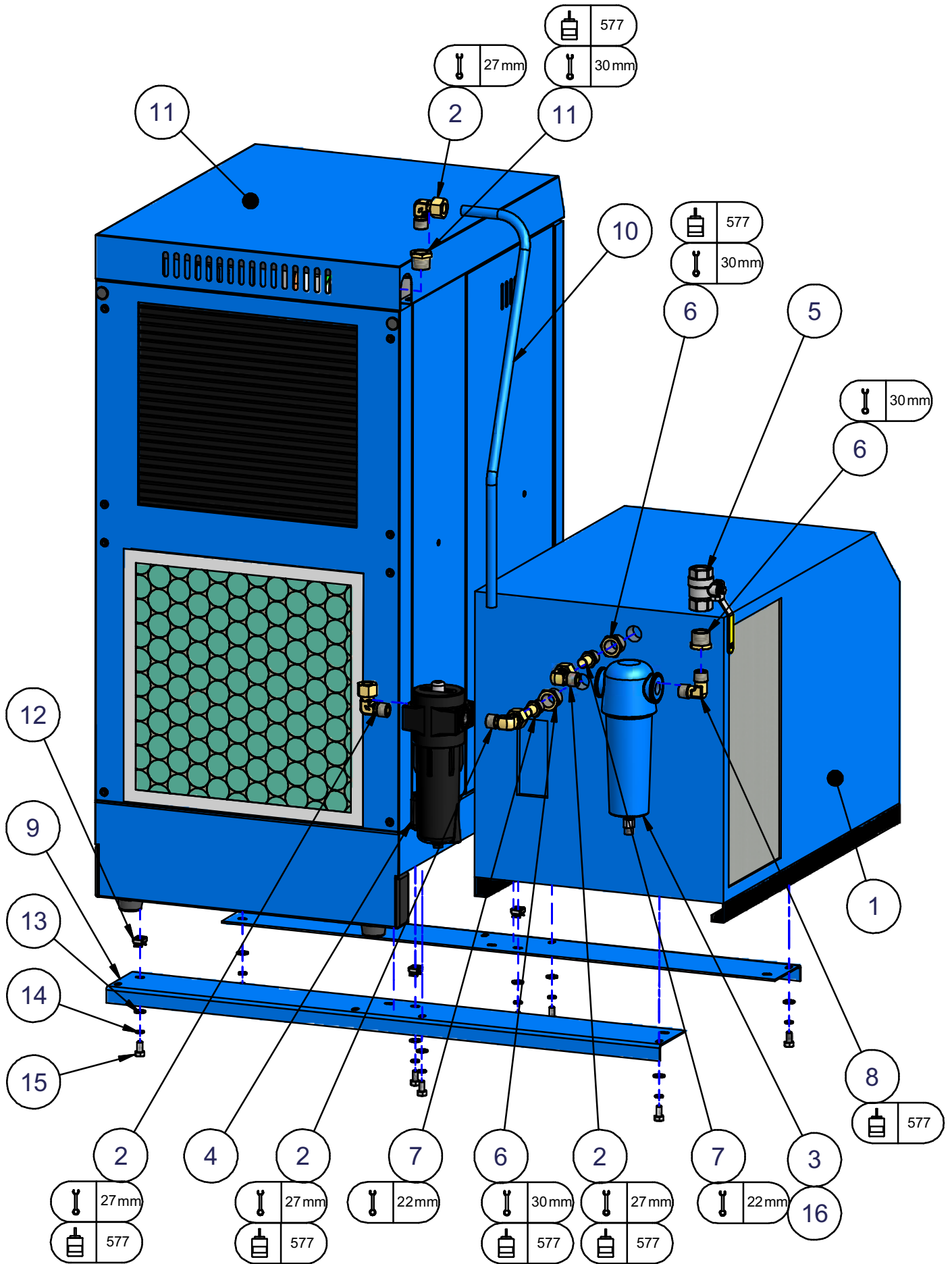




 <b>CompAir</b> COMPAIR UK LTD. REDDITCH	V04 ACED ASSEMBLY		
	PL31-V0407-ACE	Edition A	Sheet 1 / 1

**PL32-V0407-ACE - V05/07 ACED ASSEMBLY**

Item	Part Number	Description	Kit	Quantity				
				All	V04	V05	V07	RS
1	76385	DRYER 1620L/M 50HZ 230V				1	1	1
2	71129	ELBOW R1/2"-15MM				4	4	4
3	A51114874	PARTICLE FILTER				1	1	1
4	100004304	WATER SEPARATOR				1	1	1
5	PE368	VALVE TAP 3/4" BSP				1	1	1
6	74635	REDUCER R3/4"-R1/2"				4	4	4
7	76392	STEM ADAPTOR R1/2"-15MM				2	2	2
8	74153	EQUAL ELBOW R1/2"				1	1	1
9	77238	DRYER BRACKET				2	2	2
10	77240	PIPE COOLER-FILTER				1	1	1
11	PL19-V0407-ACE*	PANEL ASSEMBLY				1	1	1
12	72703	M8 CAGE NUT				4	4	4
13	MW8	M8 WASHER				8	8	8
14	MWG8	M8 SPRING WASHER				8	8	8
15	MS108-16	M8x16 HEX HEAD SCREW				8	8	8
16	A51129374	FILTER ELEMENT	KH457			1	1	1





# ANCILLARY EQUIPMENT

**AE01-V0407-ACE - OUTLET DUCT KIT (35075)**

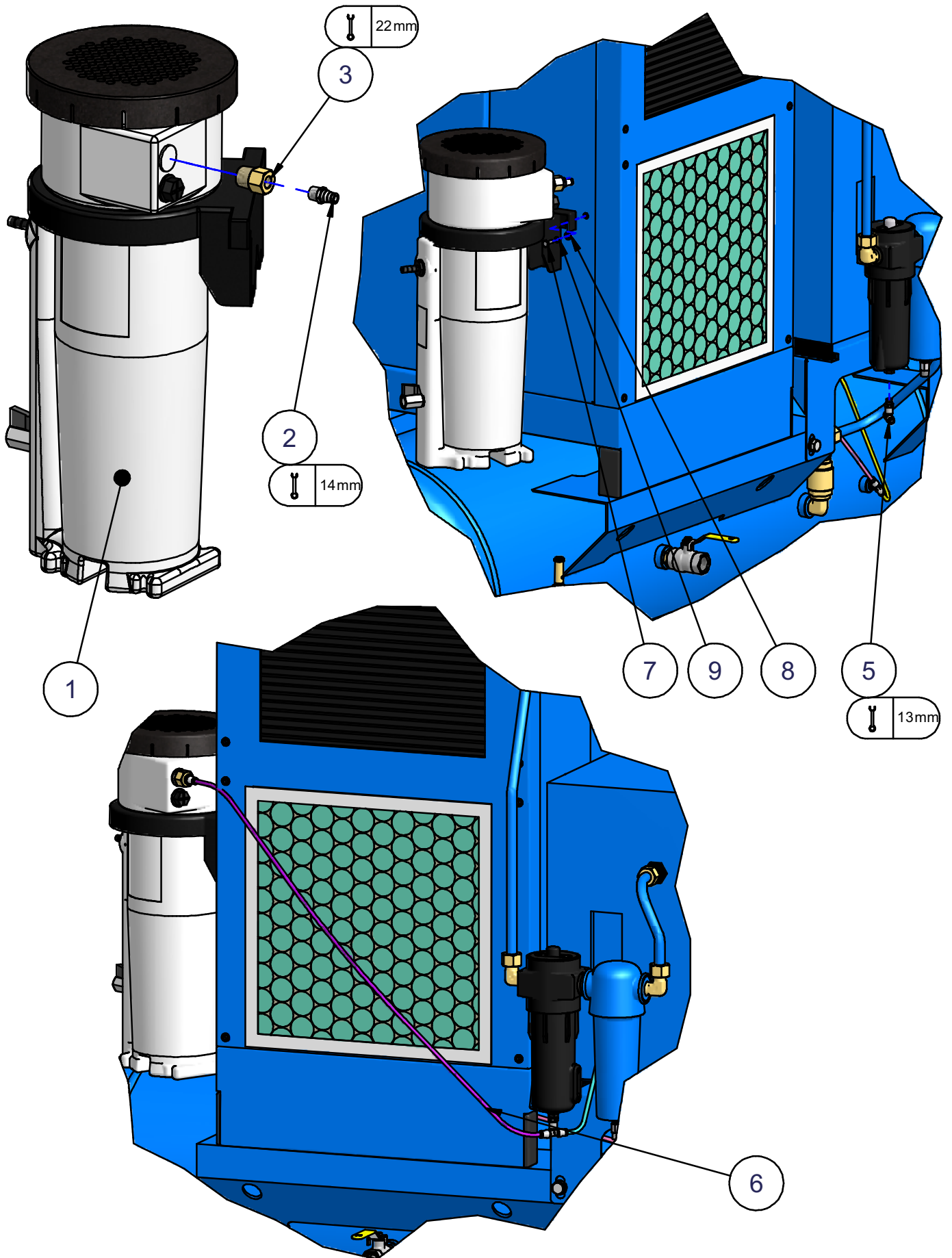
Item	Part Number	Description	Kit	Quantity				
				All	V04	V05	V07	RS
1	76875	OUTLET DUCT	35075	1				
2	76881	DUCT BACK FOAM	35075	1				
3	76880	DUCT RH SIDE FOAM	35075	1				
4	76879	DUCT LH SIDE FOAM	35075	1				
5	76878	DUCT BASE FOAM	35075	1				
6	MS108-16	M8x16 HEX HEAD SCREW	35075	4				
7	MW8	M8 WASHER	35075	4				
8	MWG8	M8 SPRING WASHER	35075	4				



**AE02-V0407-ACE - V04/05/07 OIL/WATER SEPARATOR KIT (35107)**

Item	Part Number	Description	Kit	Quantity				
				All	V04	V05	V07	RS
1	77249	OIL-WATER SEPARATOR	35107	1				
2	73212	MALE STUD G1/4"	35107	1				
3	72819	R1/2"-G1/4" REDUCING BUSH	35107	1				
4	PL30-V0407-ACE*	V05/07 AERD ASSEMBLY		1				
4	PL29-V0407-ACE*	V04 AERD ASSEMBLY		1				
4	PL31-V0407-ACE*	V05/07 ACED ASSEMBLY		1				
4	PL32-V0407-ACE*	V04 ACED ASSEMBLY		1				
5	73214	R1/8"-6MM PUSH IN TEE	35107	1				
6	ST214671	TUBE 6MM NYLON	35107	1				
7	MS106-16	M6X16 HEX HD SET SCREW	35107	2				
8	MW6	M6 WASHER	35107	2				
9	MWG6	SPRING WASHER M6	35107	2				



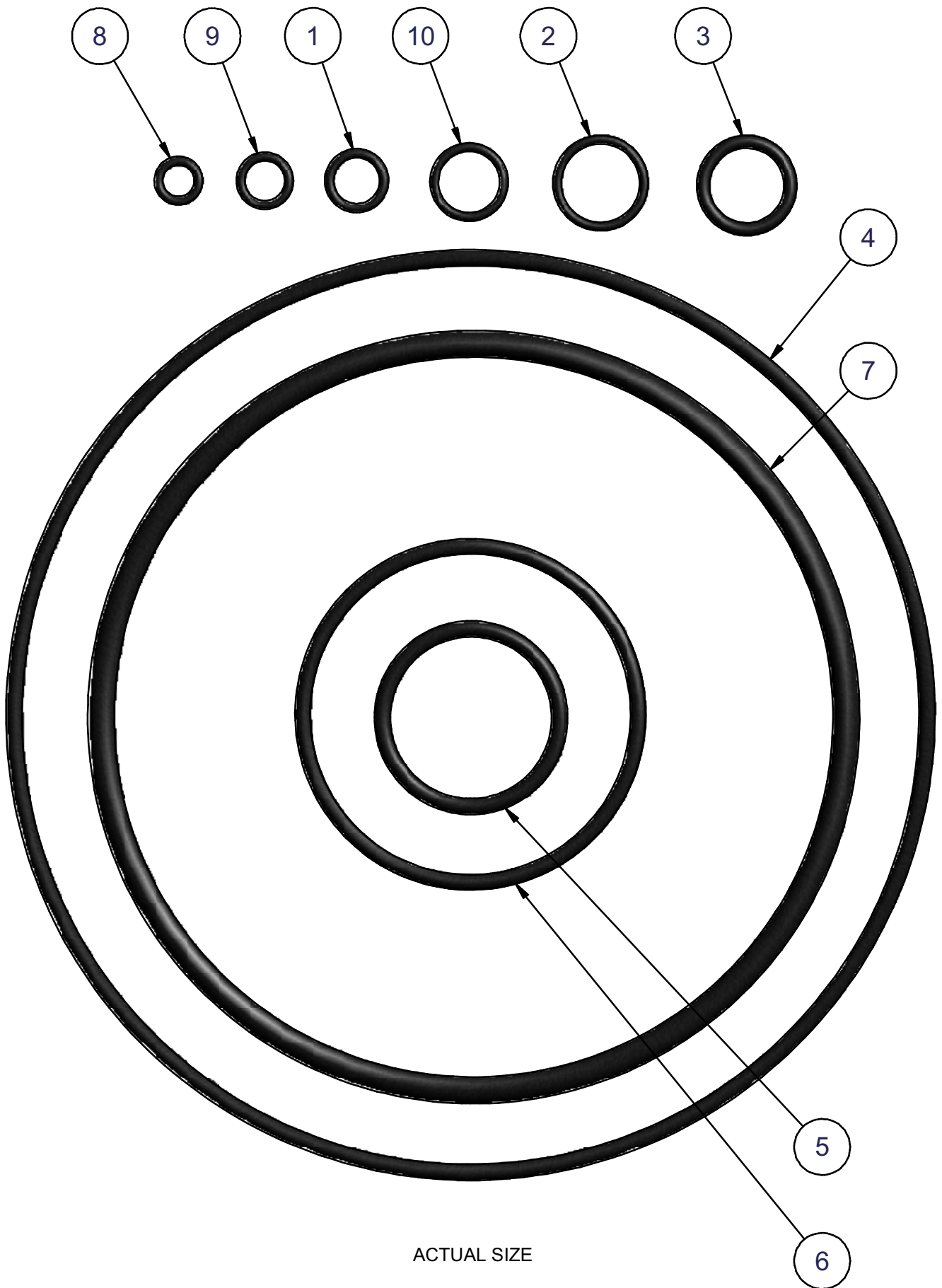




# KIT INFORMATION

## PLKT-V0407-ACE - O-RING IDENTIFICATION AID

Item	Part Number	Description	Kit	Quantity				
				All	V04	V05	V07	RS
1	9706	'O' RING	KT457E	1				
2	9712	'O' RING	KT457E	3				
3	9750	'O' RING	KT457E	1				
4	9831	'O' RING	KT457E	2				
5	9798	'O' RING	KW457E & KT457E	2				
6	9810	'O' RING	KW457E & KT457E	1				
7	75608	'O' RING	KT457E	1				
8	9704	'O' RING	KT457E	2				
9	9705	'O' RING	KT457E	1				
10	9711	'O' RING	KM457EP & KM457E	1				



## Copyright ©

All rights reserved. The copyright of this document is the property of CompAir UK Limited. No part of this publication may be reproduced, stored in a retrieval system, or transmitted, in any form or by any means, electric, mechanical, photocopying, recording, or otherwise without the prior written permission of Technical Publications Department, CompAir UK Limited



CompAir UK Ltd  
Claybrook Drive  
Washford Industrial Estate  
Redditch  
Worcestershire  
United Kingdom  
B98 0DS

E-mail: [sales@compair.co.uk](mailto:sales@compair.co.uk)  
Telephone: +44 (0)1527 525522  
Fax: +44 (0)1527 521140

11/2007